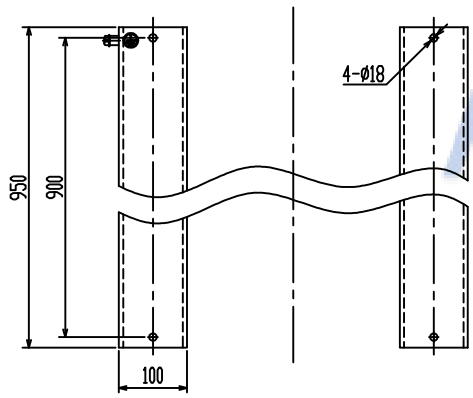


Dyn11

Used for



PUTUO ELECTRIC

					SCB10-1000/6, 10, 11		1PT.710.2315.1		
					Transformer Uk= 6%		Pattern Mark	W. (KG)	Proportion
							S A	2400	
							1 Page In Total	Page 1	
							Putuo Electric		
Mark	No.	Changed file No.	Signature	Date					
Draft			Technology						
Design			Standard						
Check			Approval						
Examine			Date	21/1/12					