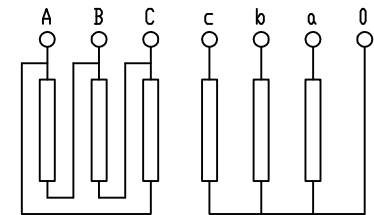
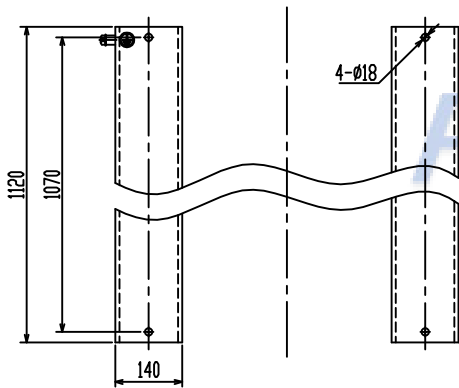


A-A



Dyn11

Used for

					SCB10-1250/6,10,11		1PT.710.2316.1			
					10/0.4		Pattern Mark		W. (KG)	Proportion
Mark No.		Changed file No.	Signature	Date			S	A	2700	
Draft		Technology					1 Page In Total		Page 1	
Design		Standard					Uk= 6%			
Check		Approval							Putuo Electric	
Examine		Date			21/1/12					

PUTUO ELECTRIC