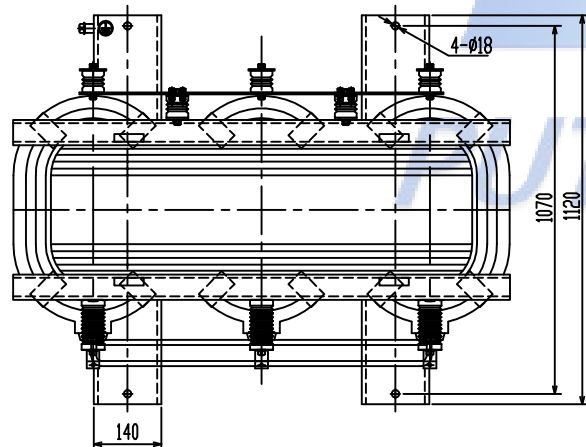


Dyn11



Used for

				SCB13-1600/6,10,11		1PT.710.2337.1	
				Transformer		Pattern Mark	
				Uk= 6%		W. (KG)	
Mark	No.	Changed file No.	Signature	Date	S A		3500
Draft	Technology				1 Page in Total		Page 1
Design	Standard				Putuo Electric		
Check	Approval						
Examine	Date			21/4/2			