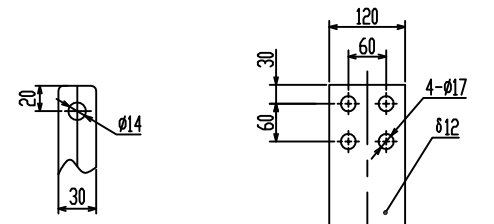
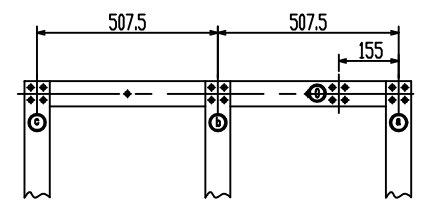
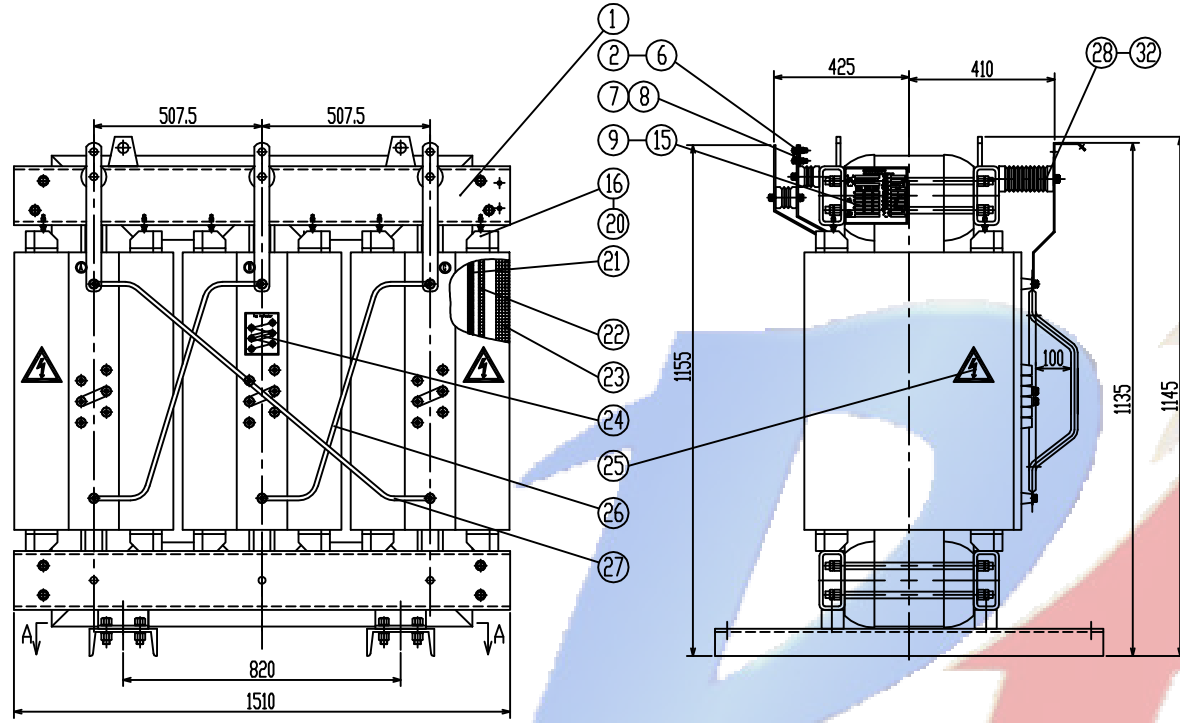
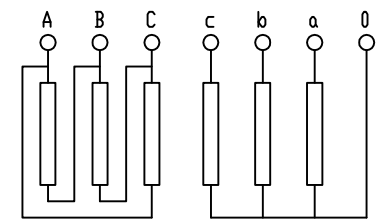


1PT.710.2318.1



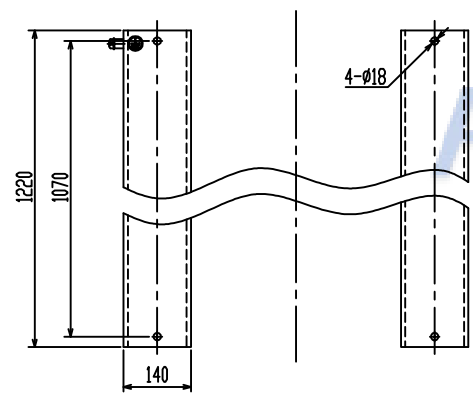
HV terminal

LV terminal



Dyn11

A-A



Used for

						SCB10-2000/10-H-T	1PT.710.2318.1			
						Transformer	Pattern Mark		W. (KG)	Proportion
							S	A	3800	
							1 Page In Total			Page 1
							Putuo Electric			
Mark	No.	Changed file No.	Signature	Date						
Draft			Technology							
Design			Standard							
Check			Approval							
Examine			Date	20/10/25						

