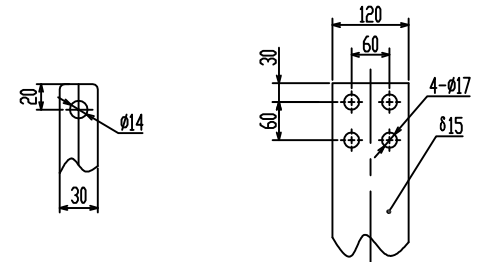
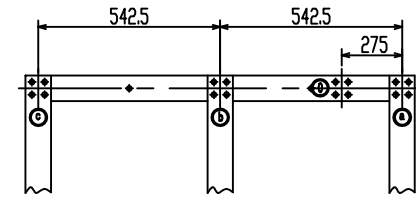
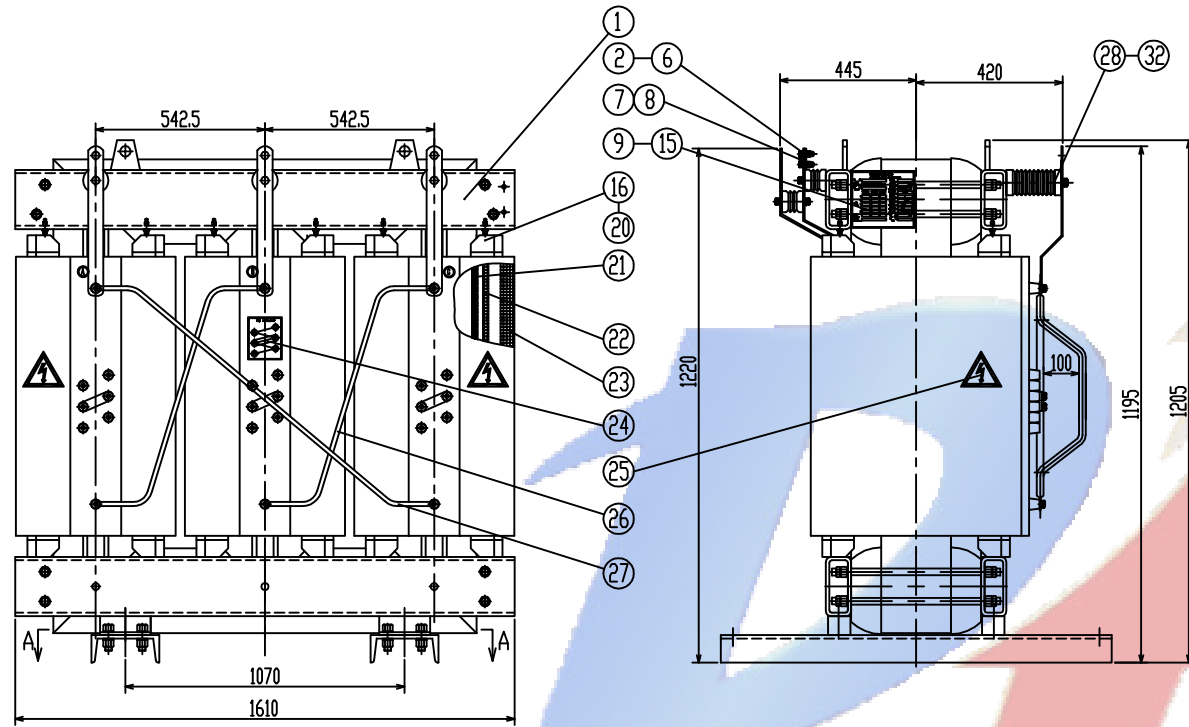
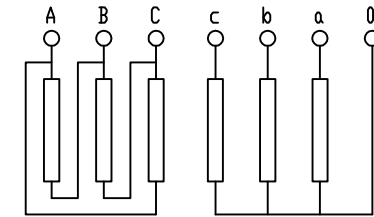


1PT.710.2319.1



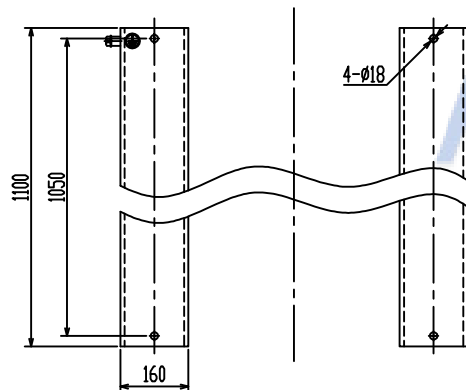
HV terminal

LV terminal



Dyn11

A-A



Used for


						SCB10-2500/6,10,11	1PT.710.2319.1		
						Transformer	Pattern Mark	W. (KG)	Proportion
							S	A	4510
							1 Page In Total		Page 1
									Putuo Electric

PUTUO ELECTRIC