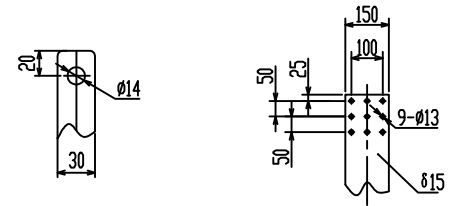
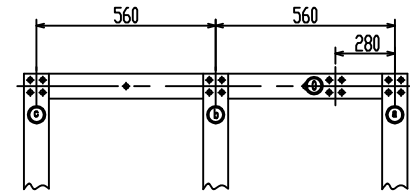
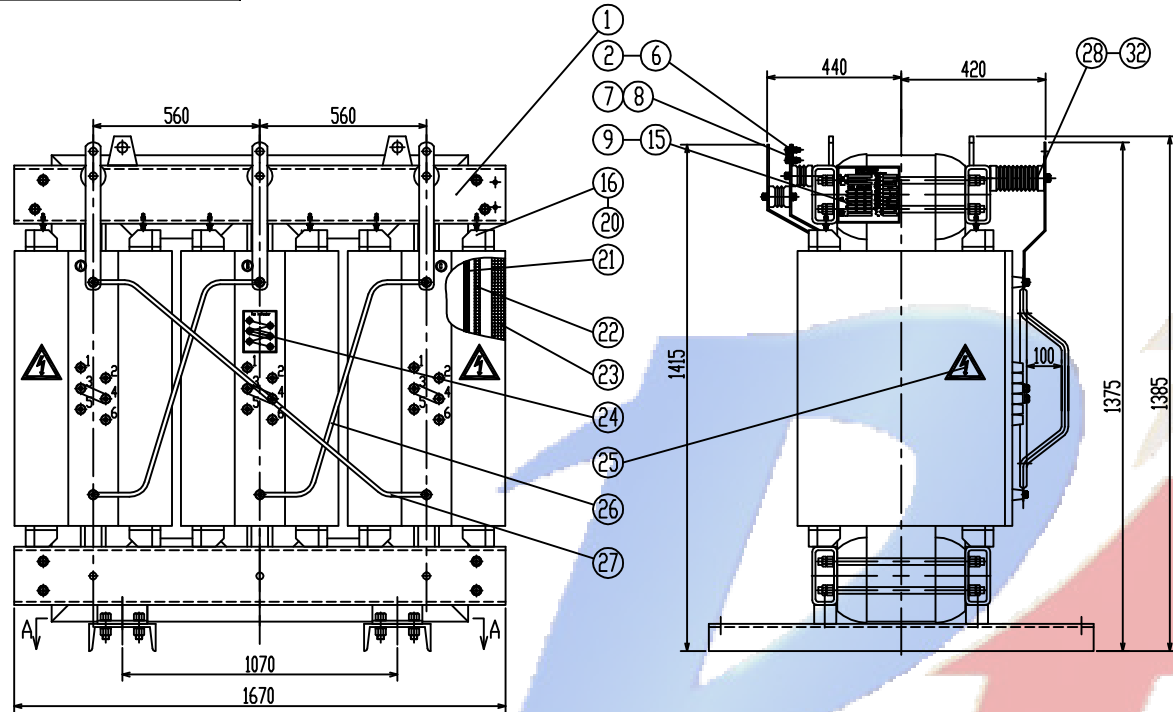
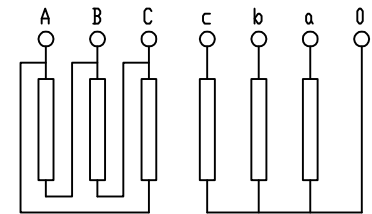


1PT.710.2320.1



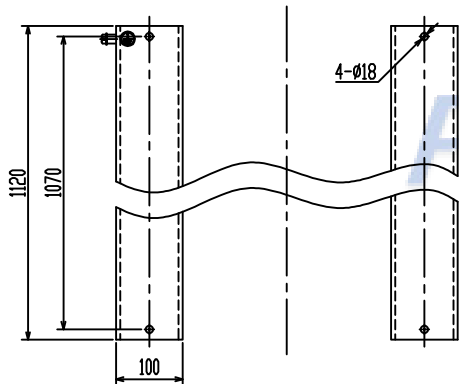
HV terminal

LV terminal



Dyn11

A-A



Used for

					SCB10-3150/6,10,11	1PT.710.2320.1			
Mark	No.	Changed File No.	Signature	Date	Transformer	Pattern Mark		W. (KG)	Proportion
Draft						S	A	5300	
Design		-	Standard			1 Page In Total		Page 1	
Check			Approval			Putuo Electric			
Examine			Date						

