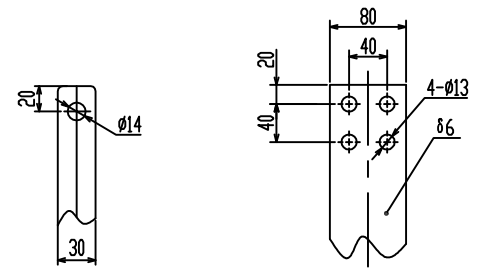
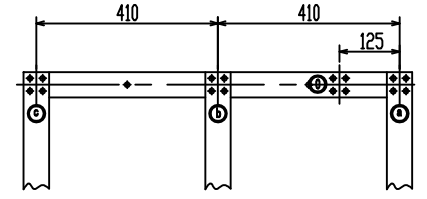
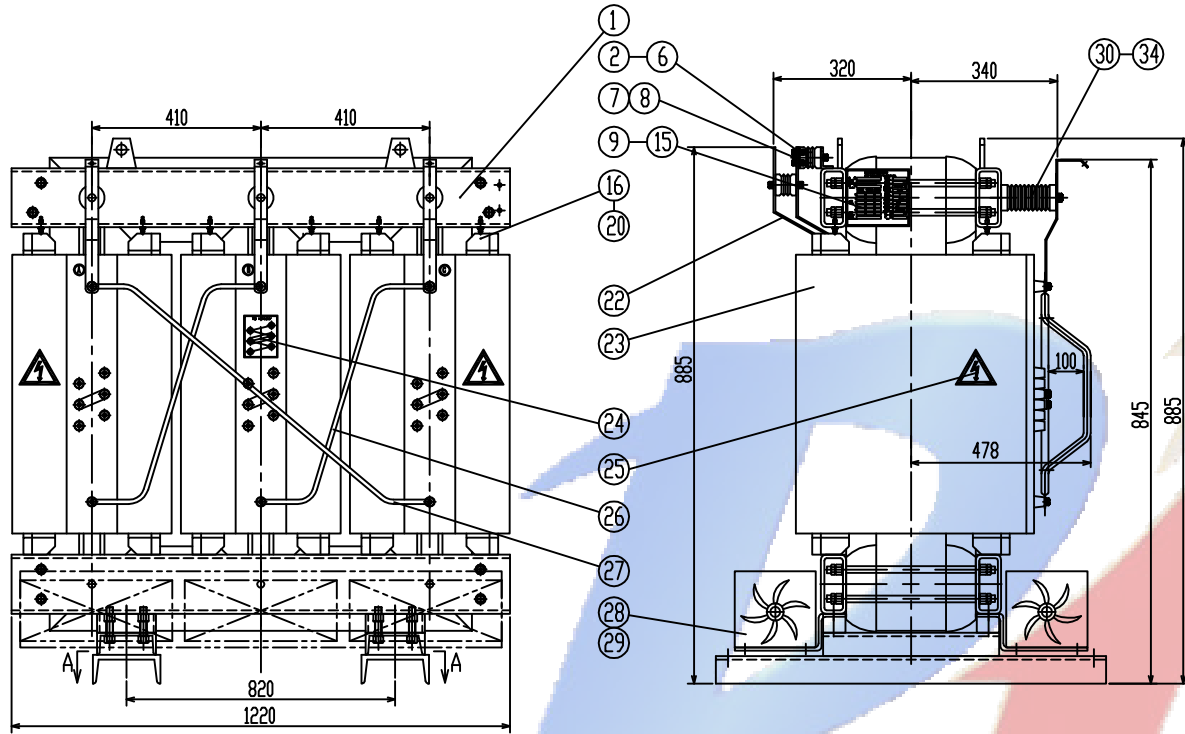
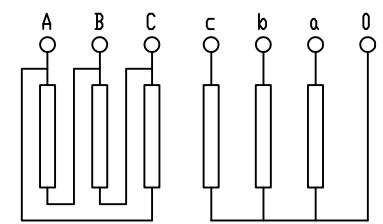


1PT.710.2313.1



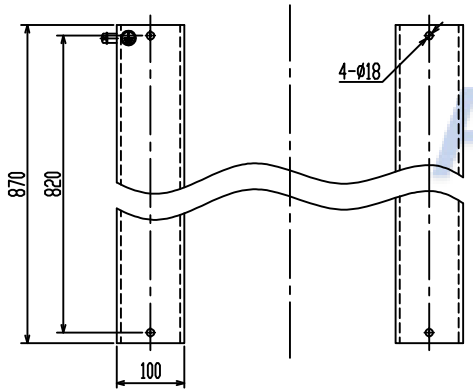
HV terminal

LV terminal



Dyn11

A-A



Used for

					SCB10-630/6,10,11	1PT.710.2313.1			
					Transformer	Pattern Mark		V. (KG)	Proportion
						S	A	1630	
Mark	No.	Changed file No.	Signature	Date	Uk= 6%		1 Page In Total		Page 1
Draft			Technology						
Design		-	Standard						
Check			Approval						
Examine			Date	21/1/12					
						Putuo Electric			

