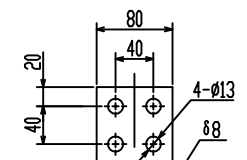
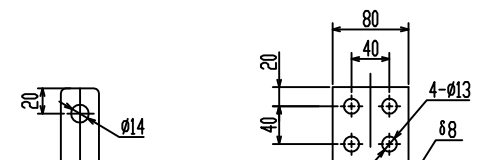
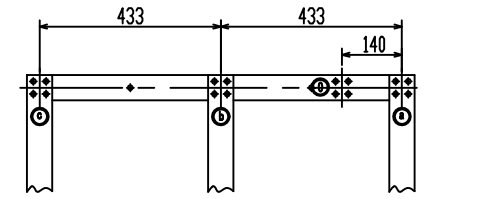
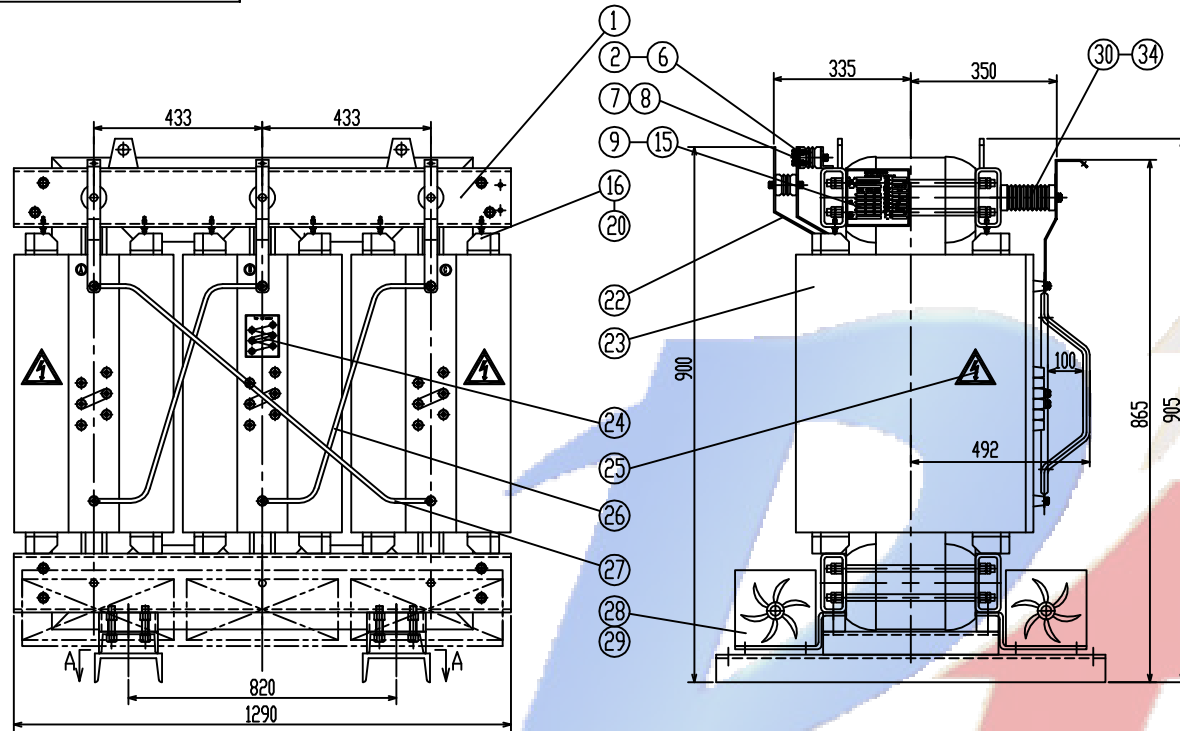
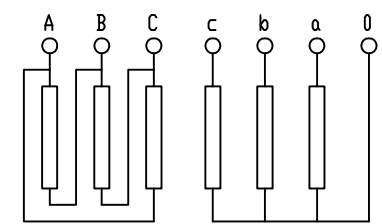


1PT.710.2314.1



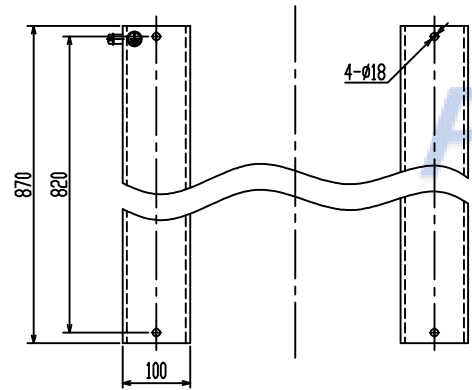
HV terminal

LV terminal



Dyn11

A-A



Used for

PUTUO ELECTRIC

				SCB10-800/6,10,11		1PT.710.2314.1					
				Transformer		Pattern Mark		V. (KG)		Proportion	
						S A		1940			
Mark				No.	Changed file No.	Signature	Date	1 Page In Total		Page 1	
Draft				Technology							
Design				-		Standard					
Check						Approval					
Examine						Date		21/1/12		Putuo Electric	

Uk= 6%