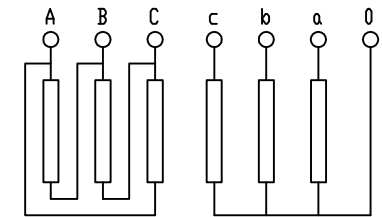
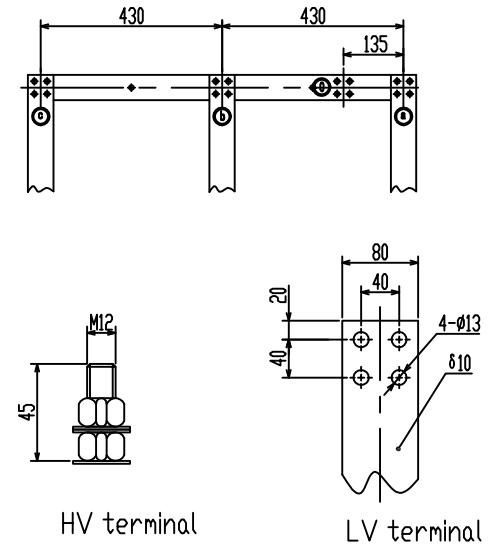
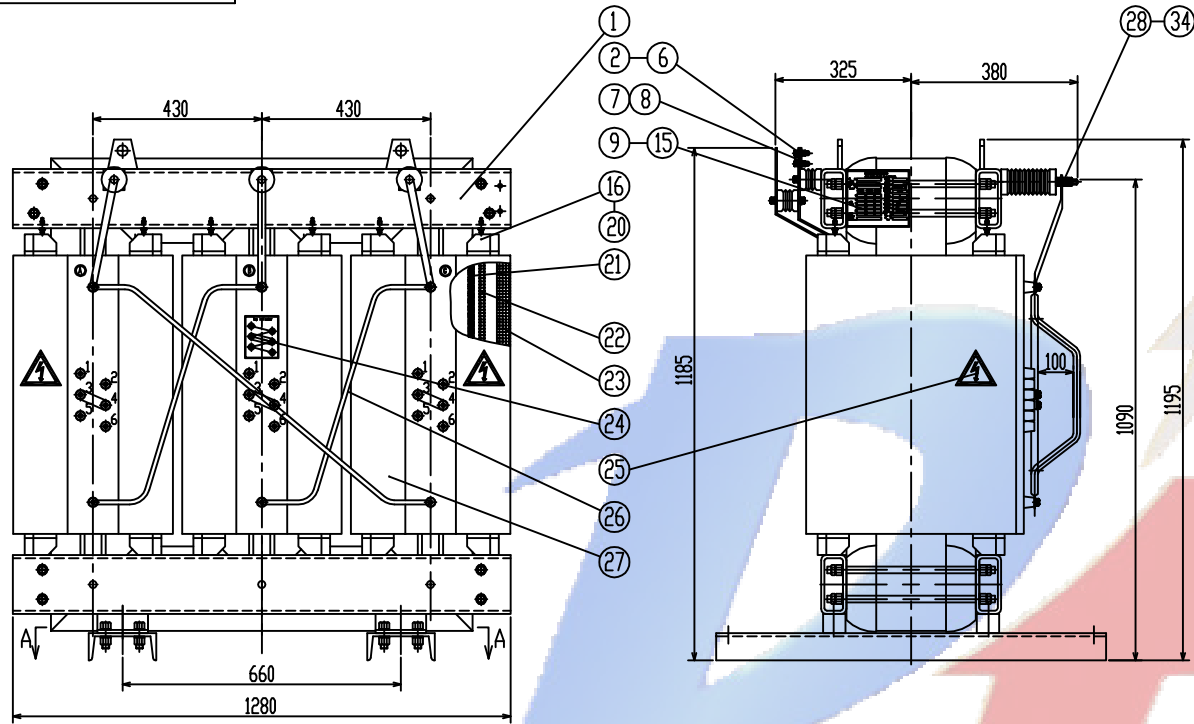
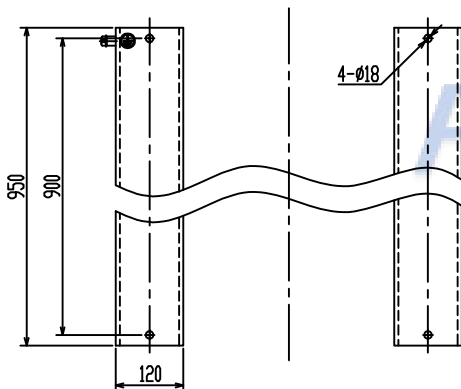


1.710.3015.1



Dyn11

A-A



Used for

				SCBL10-1000/6,10,11		1.710.3015.1			
				Transformer		Pattern Mark		V. (KG)	Proportion
						S	A	2080	
Mark	No.	Changed file No.	Signature	Date	1 Page In Total		Page 1		
Draft			Technology						
Design			Standard						
Check			Approval						
Examine			Date				Putuo Electric		