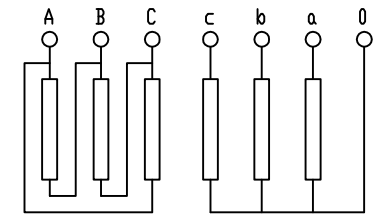
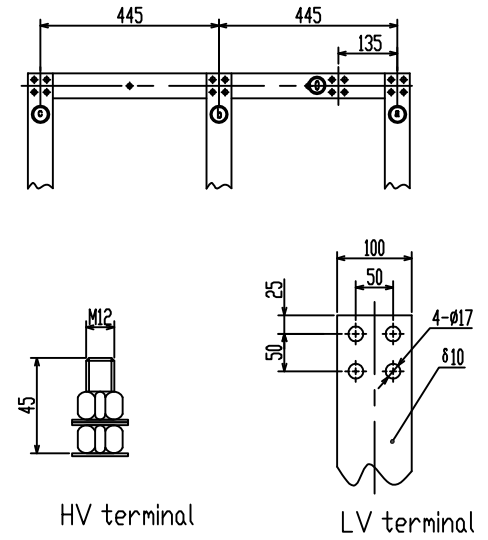
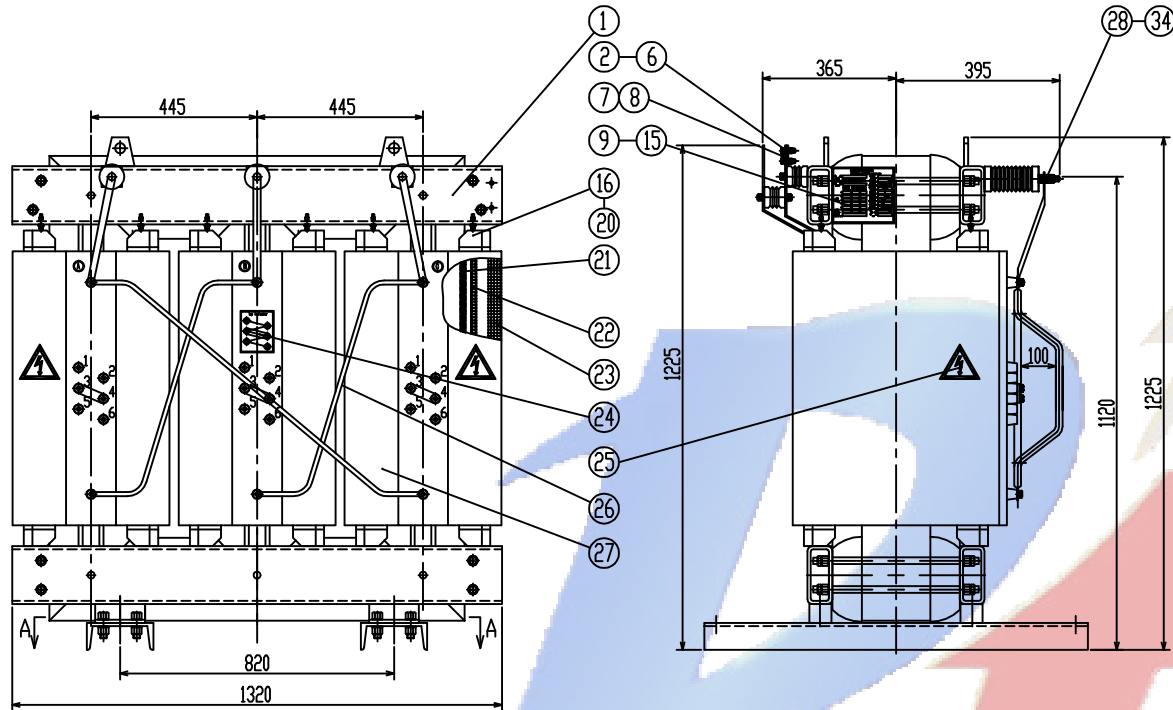
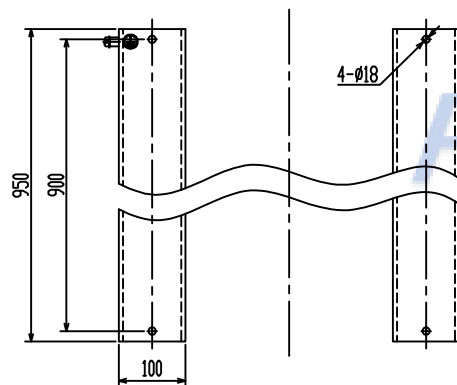


1.710.3016.1



Dyn11

A-A



Used for


					SCBL10-1250/6.10,11	1.710.3016.1			
					Transformer	Pattern Mark		W. (KG)	Proportion
Mark	No.	Changed File No.	Signature	Date		S	A	2440	
Draft		Technology				1 Page In Total		Page 1	
Design		Standard				Putuo Electric			
Check		Approval							
Examine		Date							