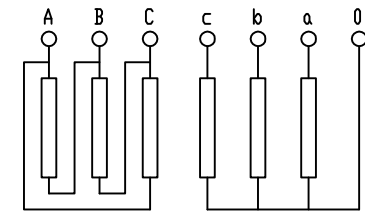
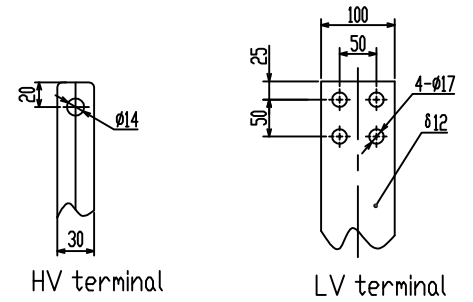
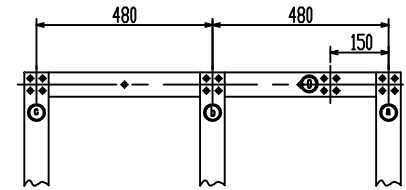
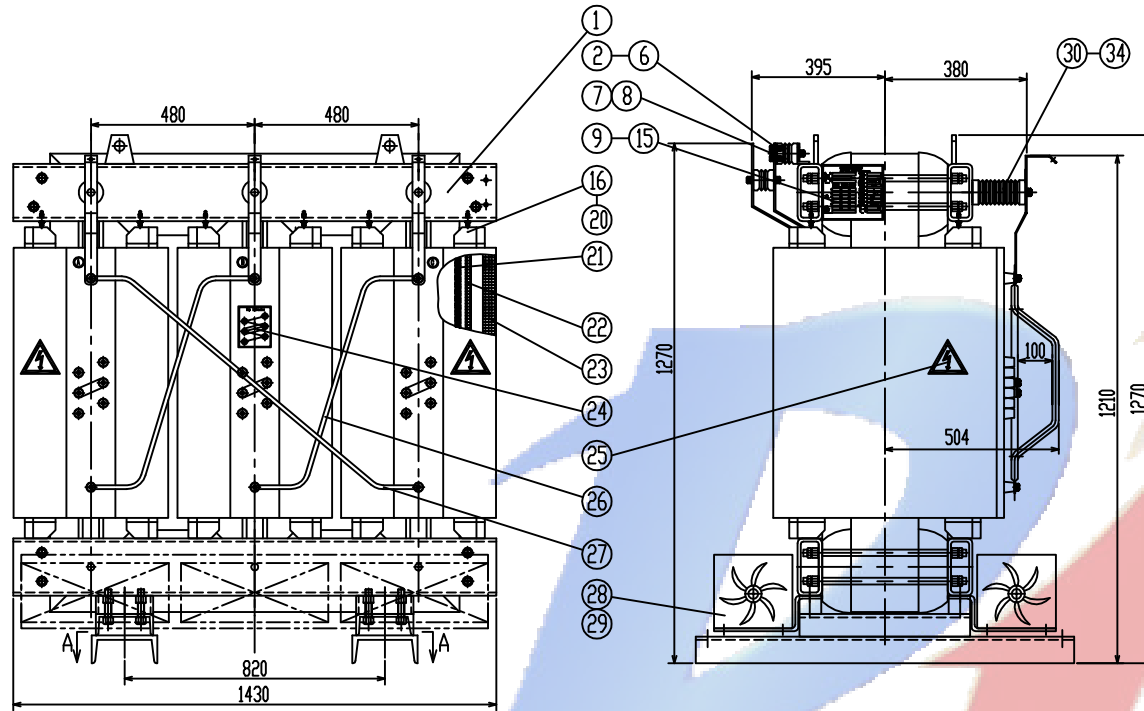
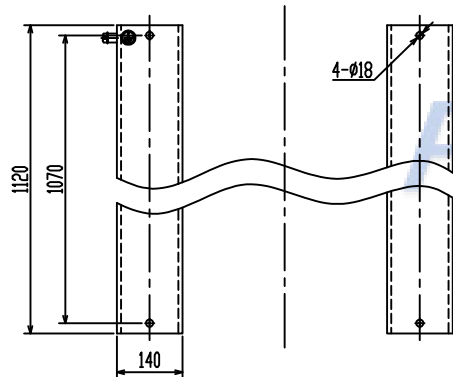


1PT.710.6217.1



Dyn11

A-A



Used for

				SCBL10-1600/6,10,11		1PT.710.6217.1		
				Transformer Uk= 6%		Pattern Mark	W. (KG)	Proportion
						S A	3030	
						1 Page In Total		Page 1
						Putuo Electric		
Mark	No.	Changed file No.	Signature	Date				
Draft			Technology					
Design			Standard					
Check			Approval					
Examine			Date	21/2/27				