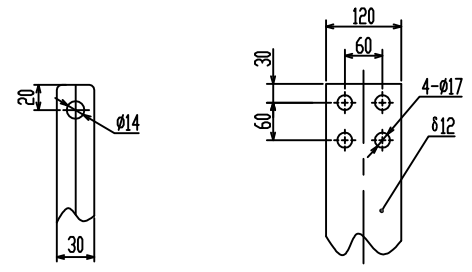
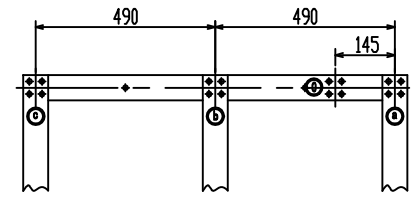
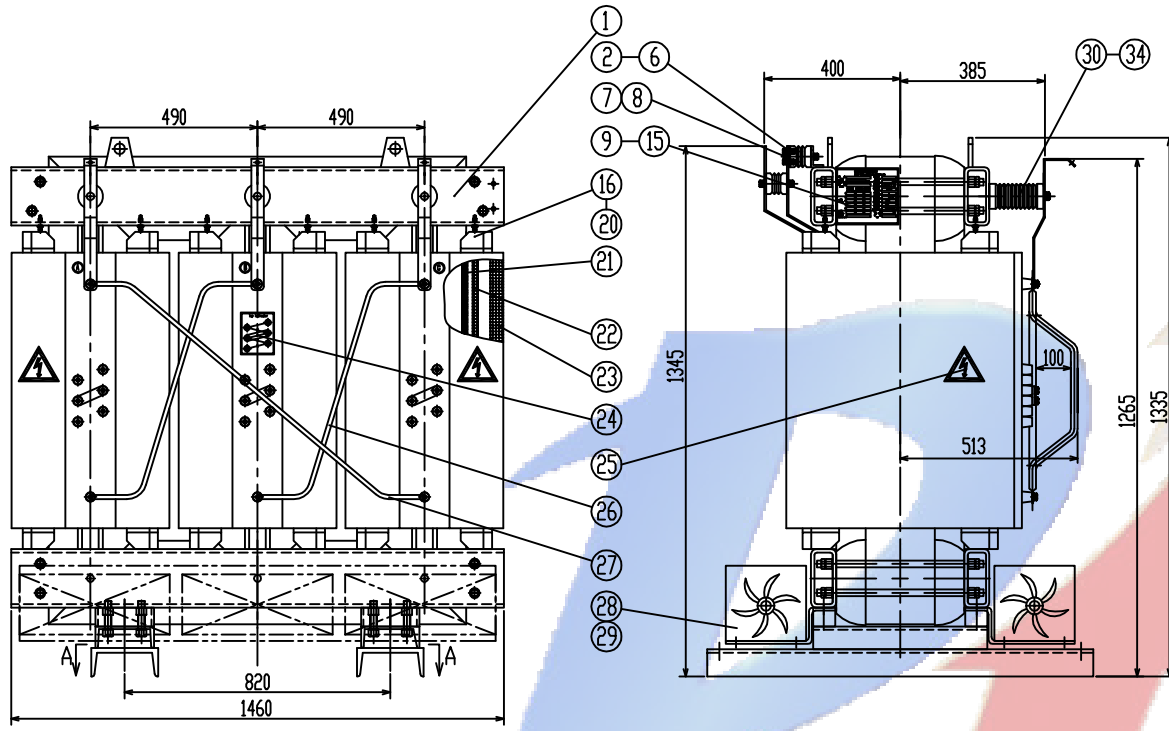
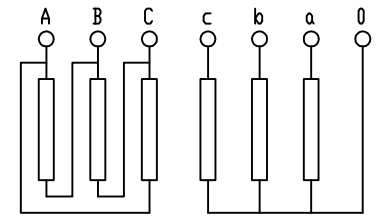


1PT.710.6218.1



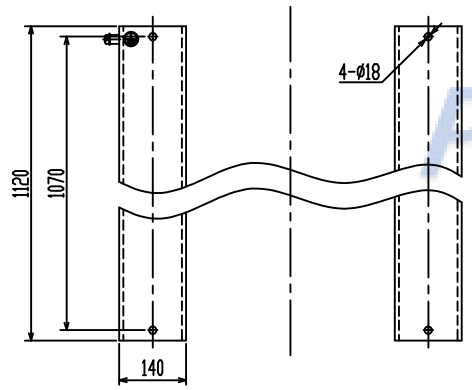
HV terminal

LV terminal



Dyn11

A-A



Used for


					SCBL10-2000/6,10,11		1PT.710.6218.1			
					Transformer		Pattern Mark		W. (KG)	Proportion
Mark	No.	Changed file No.	Signature	Date			S	A	3370	
Draft			Technology		Uk= 6%		1 Page In Total		Page 1	
Design			Standard							
Check			Approval							
Examine			Date		21/2/27		Putuo Electric			

PUTUO ELECTRIC