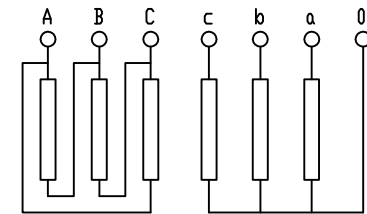
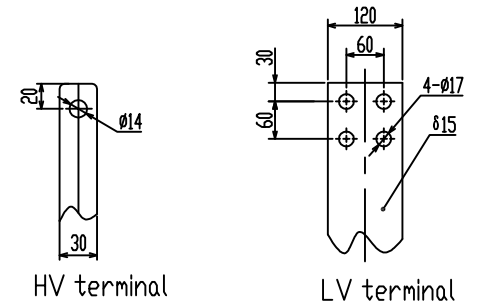
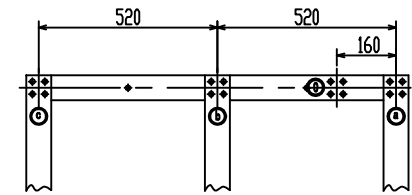
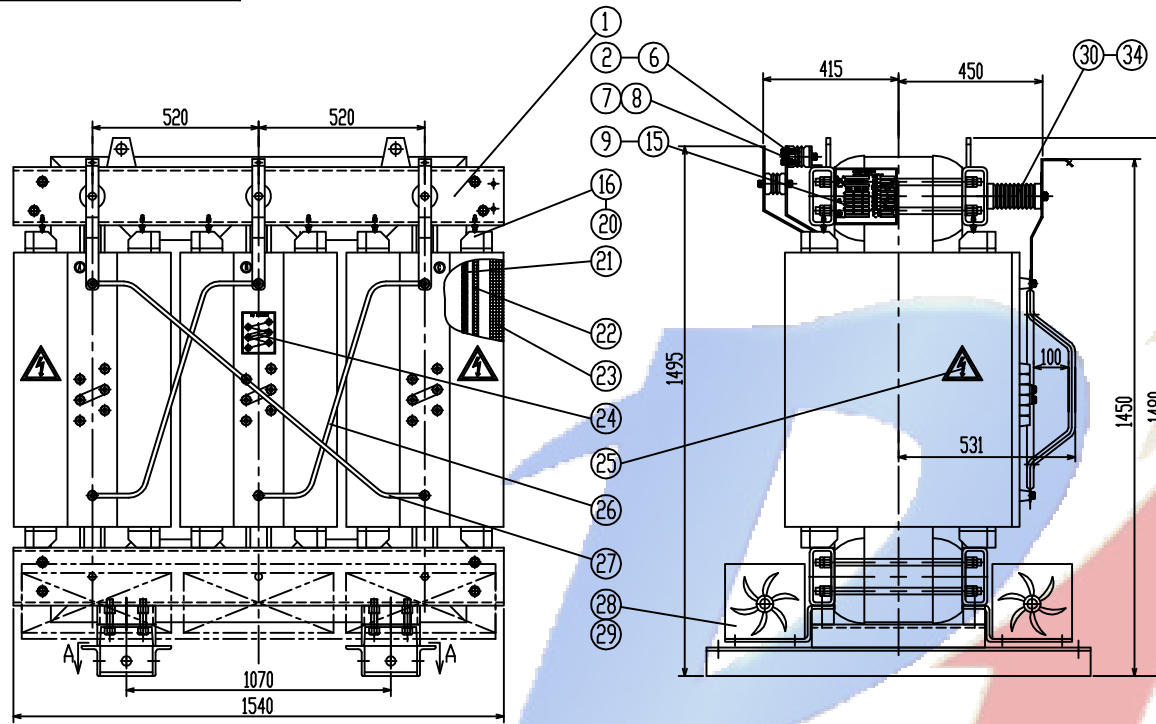
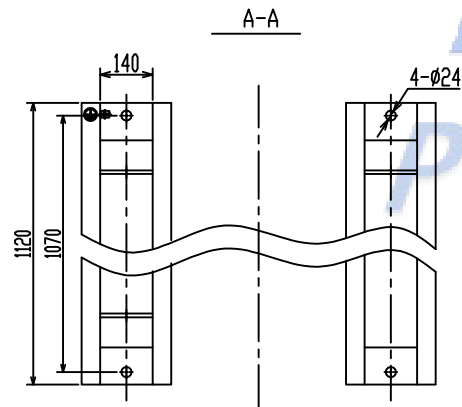


1PT.710.6219.1



Dyn11



Used for


					SCBL10-2500/6,10,11	1PT.710.6219.1		
Mark	No.	Changed file No.	Signature	Date	Transformer Uk= 6%	Pattern Mark	V. (KG)	Proportion
Draft			Technology			S A	4030	
Design	-		Standard			1 Page In Total		
Check			Approval			Page 1		
Examine			Date	21/2/27		Putuo Electric		