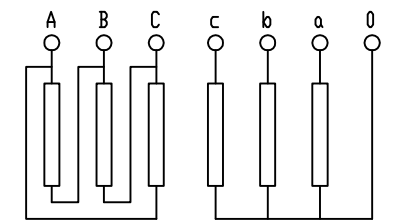
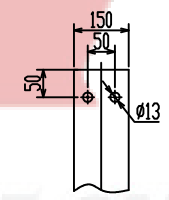
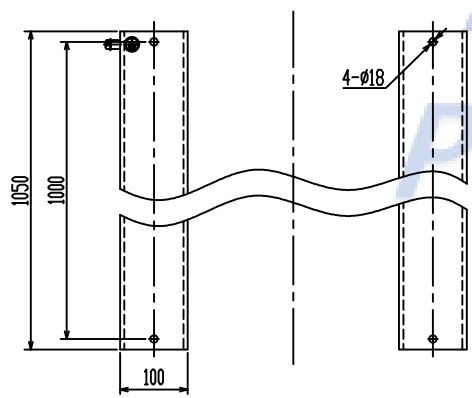


HV terminal

LV terminal

A-A



Dyn11

Used for


					SCBL10-3150/6,10,11		1PT.710.6220.1			
					Transformer		Pattern Mark		W. (KG)	Proportion
							S	A	4710	
Mark No.					Changed file No.		Signature		Date	
Draft					Technology					
Design					Standard					
Check					Approval					
Examine					Date		20/8/28			
1 Page In Total							Page 1			