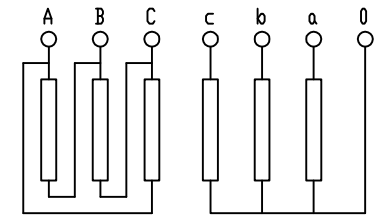
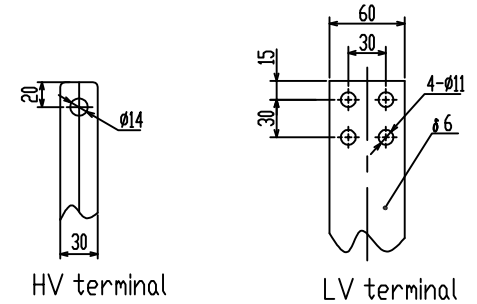
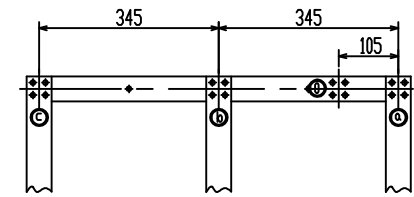
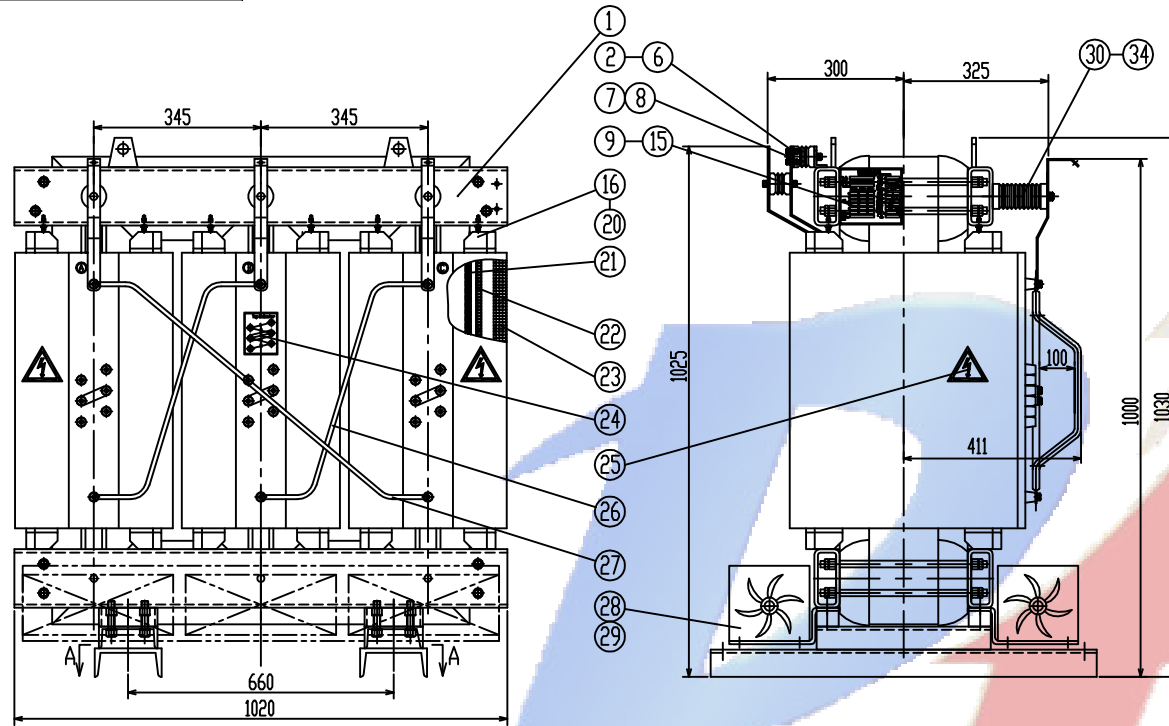
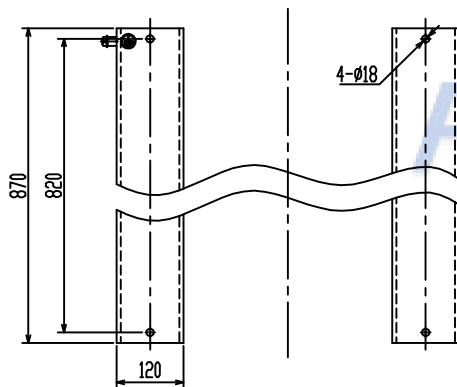


1PT.710.6211.1



Dyn11

A-A



Used for


					SCBL10-500/6,10,11	1PT.710.6211.1			
					Transformer	Pattern Mark		W. (KG)	Proportion
						S	A	1310	
					U <sub>k</sub> = 4%	1 Page In Total		Page 1	
					Putuo Electric				
Mark	No.	Changed File No.	Signature	Date					
Draft			Technology						
Design			Standard						
Check			Approval						
Examine			Date	21/2/27					