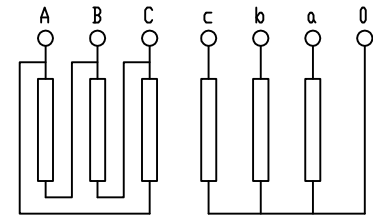
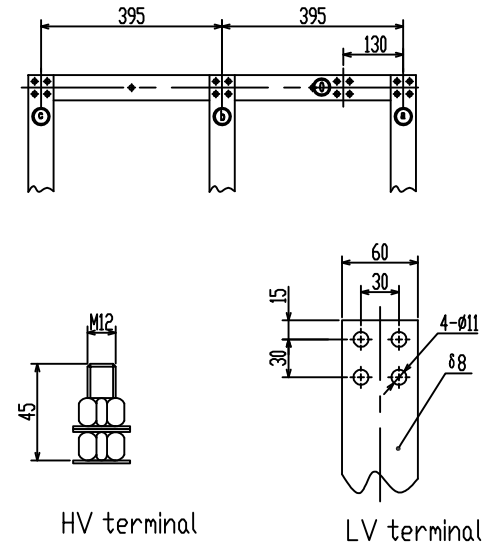
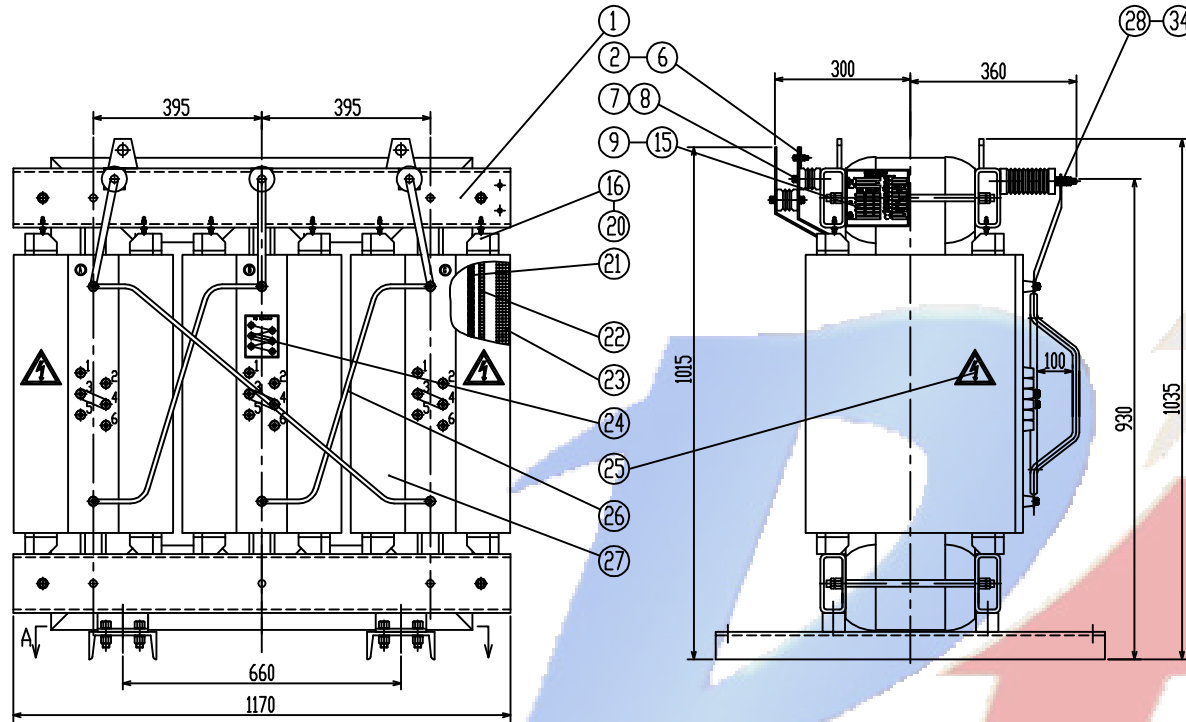
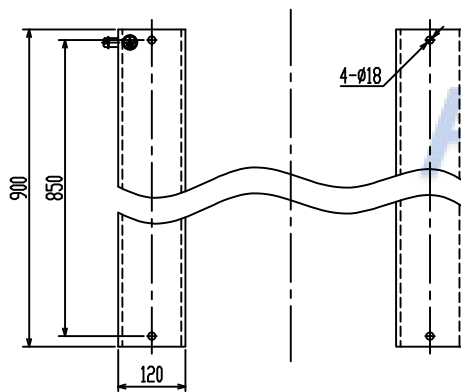


1.710.3013.1



Dyn11

A-A



Used for

				SCBL10-630/6,10,11		1.710.3013.1		
				Transformer		Pattern Mark	V. (KG)	Proportion
Mark	No.	Changed file No.	Signature			Date	S A	1490
Draft			Technology					
Design			Standard		1 Page In Total			
Check			Approval		Page 1			
Examine			Date		Putuo Electric			