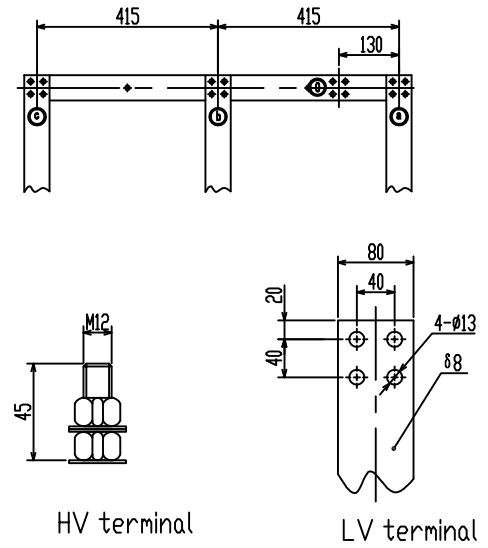
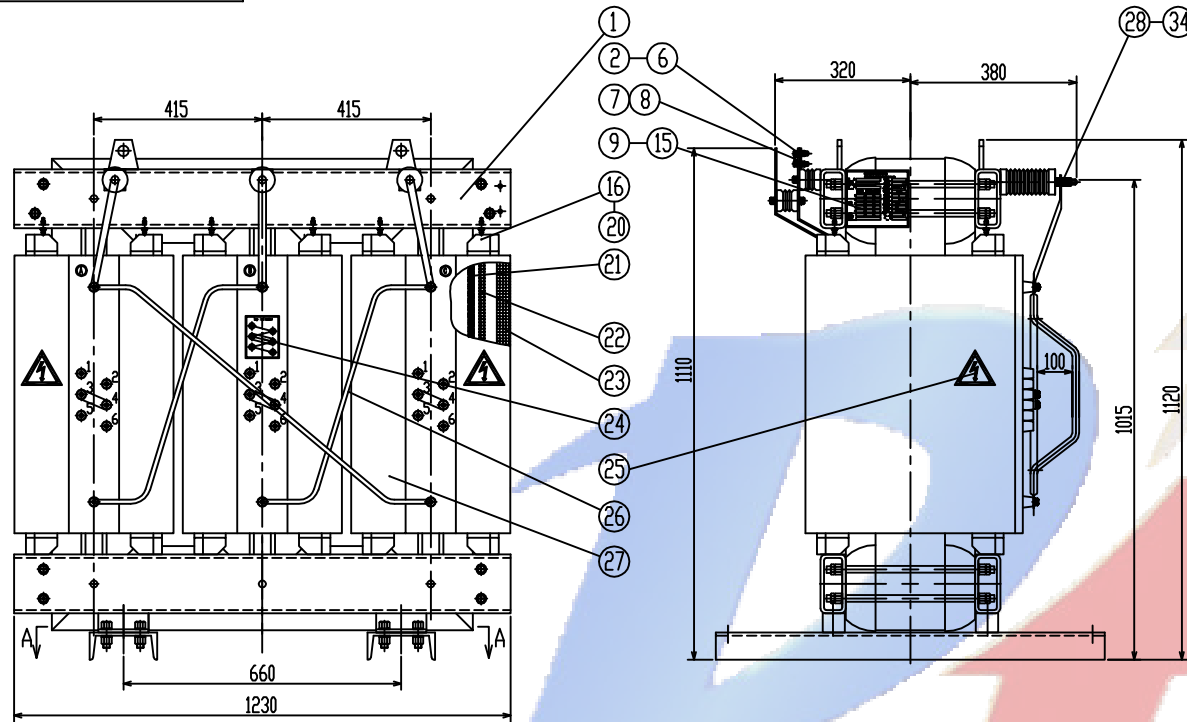
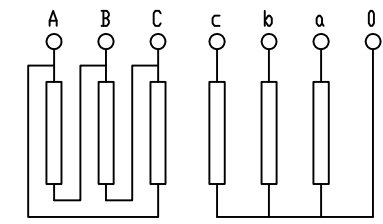


1.710.3014.1

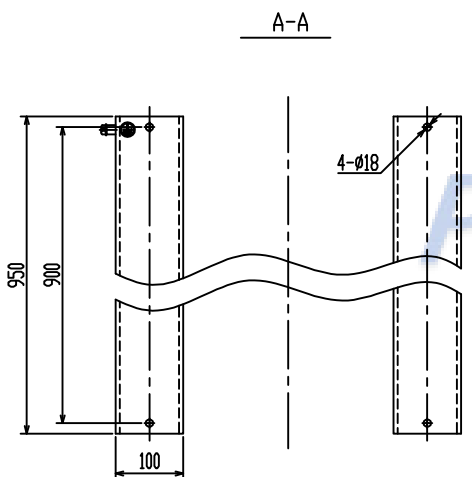


HV terminal

LV terminal



Dyn11



A-A

PUTUO ELECTRIC

Used for

				SCBL10-800/6,10,11		1.710.3014.1			
				Transformer		Pattern Mark		V. (KG)	Proportion
						S	A	1770	
Mark No.				Changed file No.	Signature	Date		1 Page In Total	
Draft				Technology				Page 1	
Design				Standard					
Check				Approval					
Examine				Date		-			
						Putuo Electric			