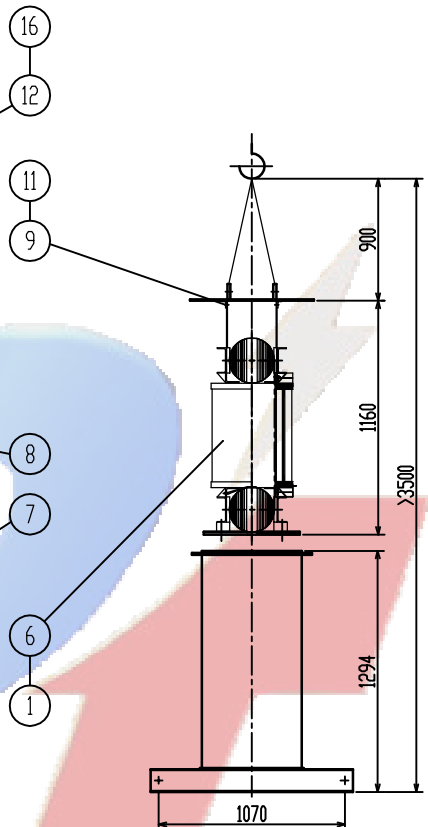
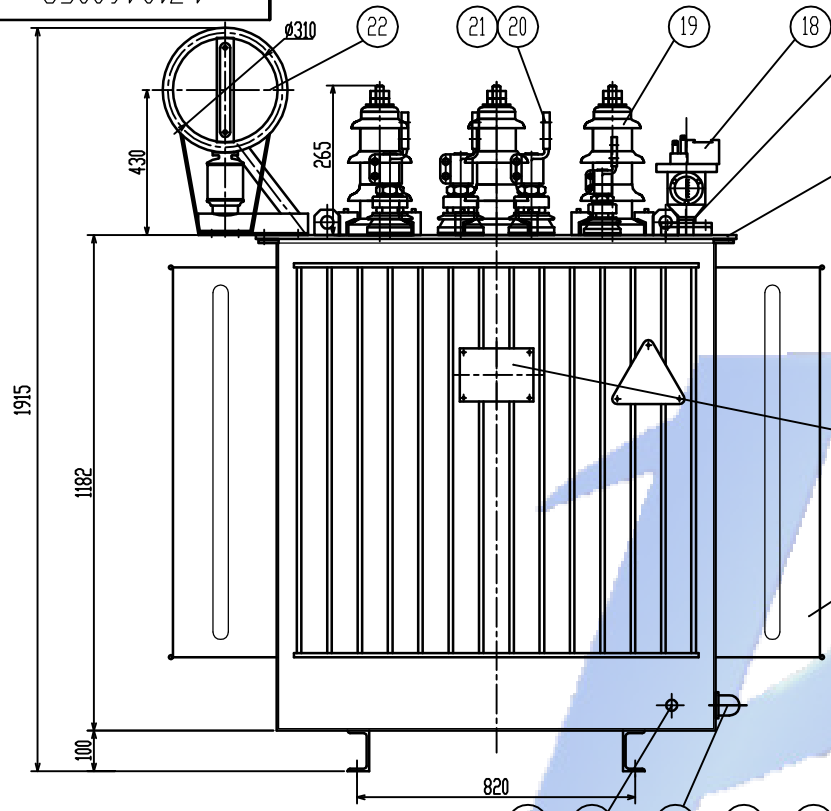
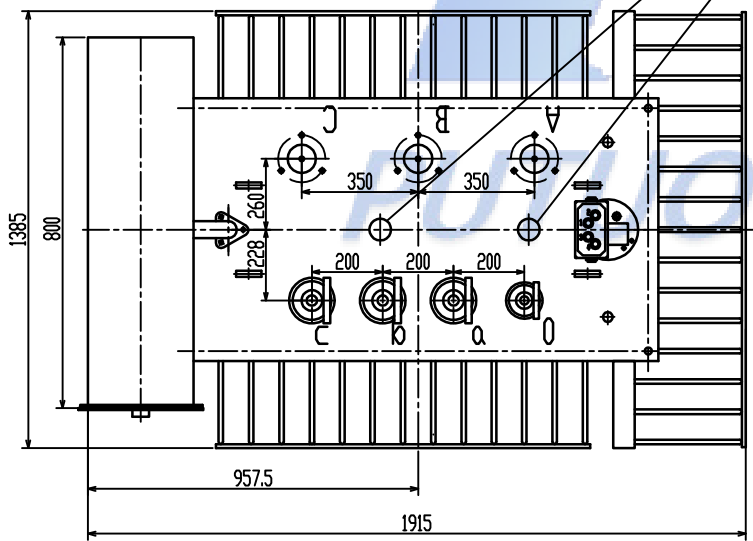
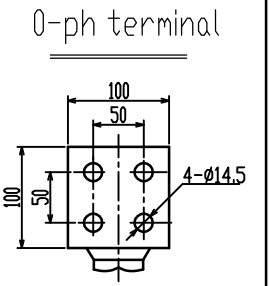
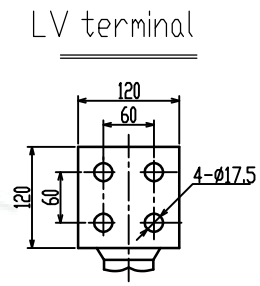
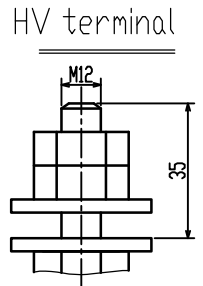


1.710.1600G2



Weight List (kg)		
Oil	Body	Total
746+	2145+	3950+



Used for


Mark	No.	Changed File No.	Signature	Date	S11-2000/6,10,11 Transformer Uk=4.5% Dyn11	1.710.1600G2		
Draft			Technology			Pattern Mark	V. (KG)	Proportion
Design			Standard			S A		
Check			Approval			1 Page In Total		Page 1
Examine			Date	22/12/1		Putuo Electric		