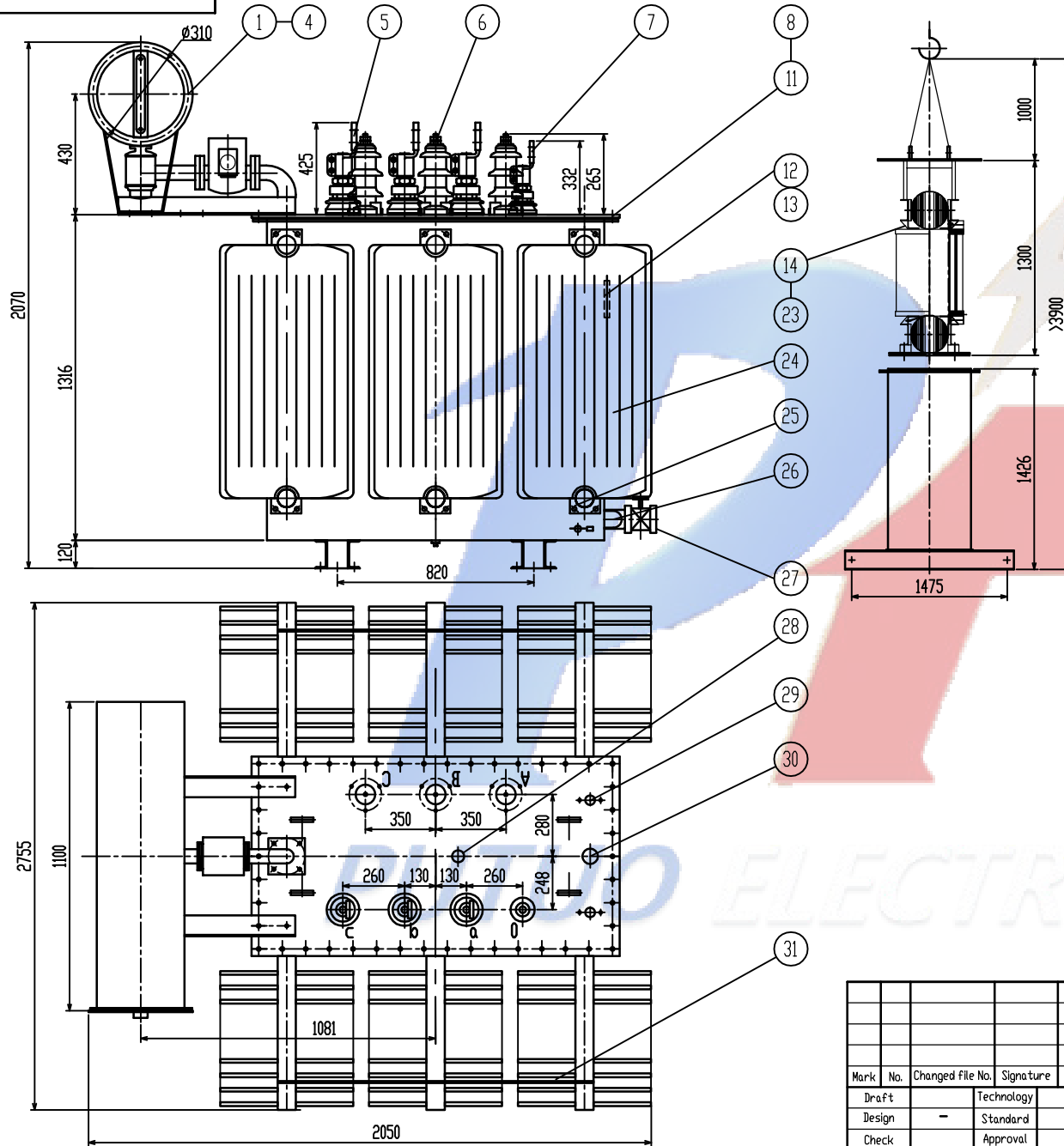
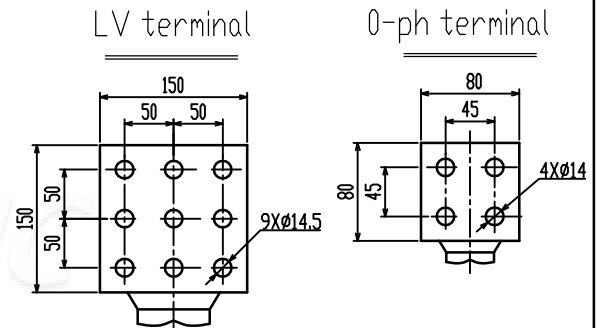
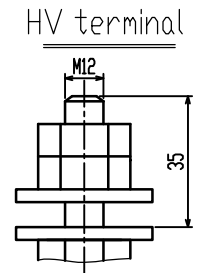


1.710.2500G1



Weight List (kg)		
Oil	Body	Total
982+	2950+	5430+



Used for

				S11-2500/6,10,11		1.710.2500G1		
				Transformer		UK=5%		
				Dyn11		Putuo Electric		
Mark	No.	Changed file No.	Signature	Date	Pattern Mark		W. (KG)	Proportion
Draft			Technology		S A			
Design			Standard		1 Page In Total		Page 1	
Check			Approval					
Examine			Date	23/1/31				