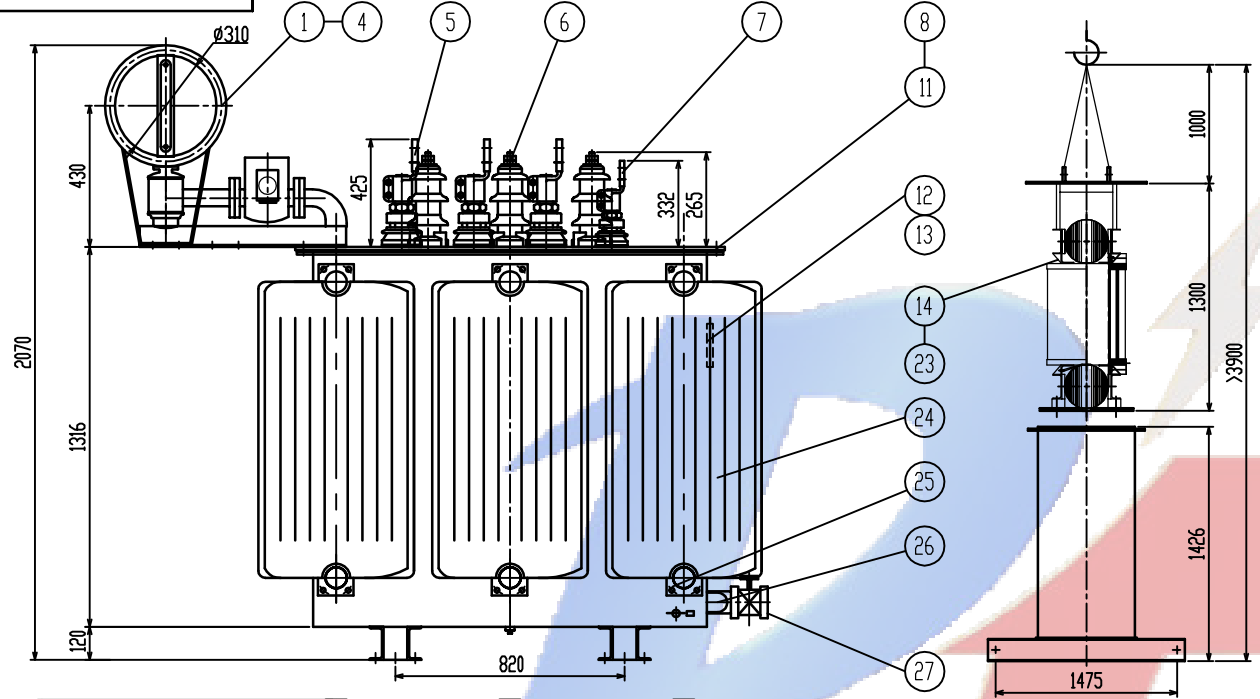
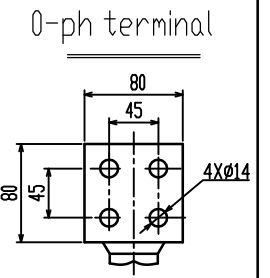
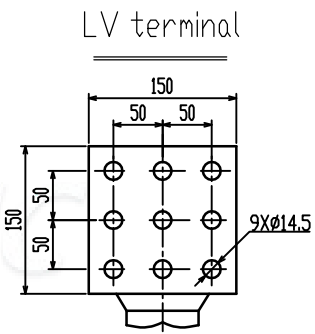
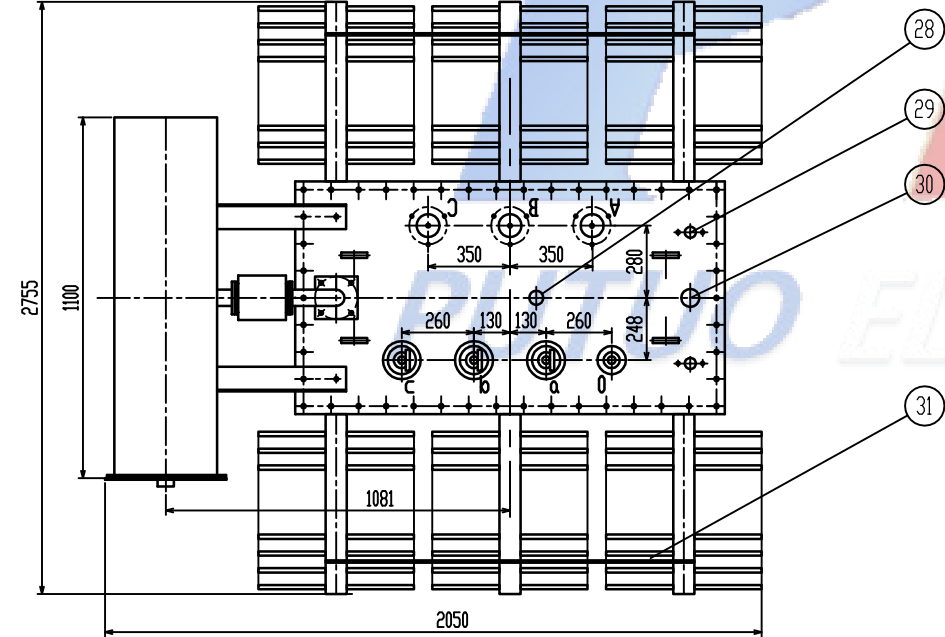
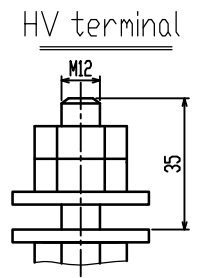


1.710.2500G1



Weight List (kg)		
Oil	Body	Total
982+	2950+	5430+



Used for

Mark	No.	Changed file No.	Signature	Date
Draft			Technology	
Design	-		Standard	
Check			Approval	
Examine			Date	23/1/31

S11-3150/6,10,11
Transformer
Uk=5%
Dyn11

1.710.2500G1		
Pattern Mark	W. (KG)	Proportion
S A		
1 Page In Total		Page 1
Putuo Electric		