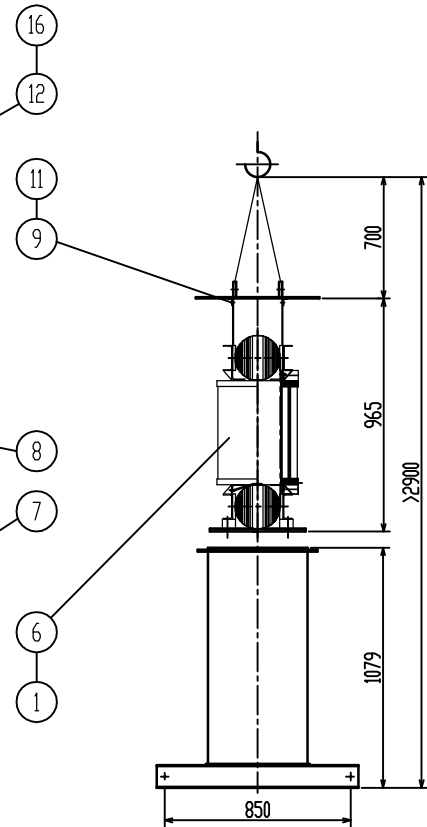
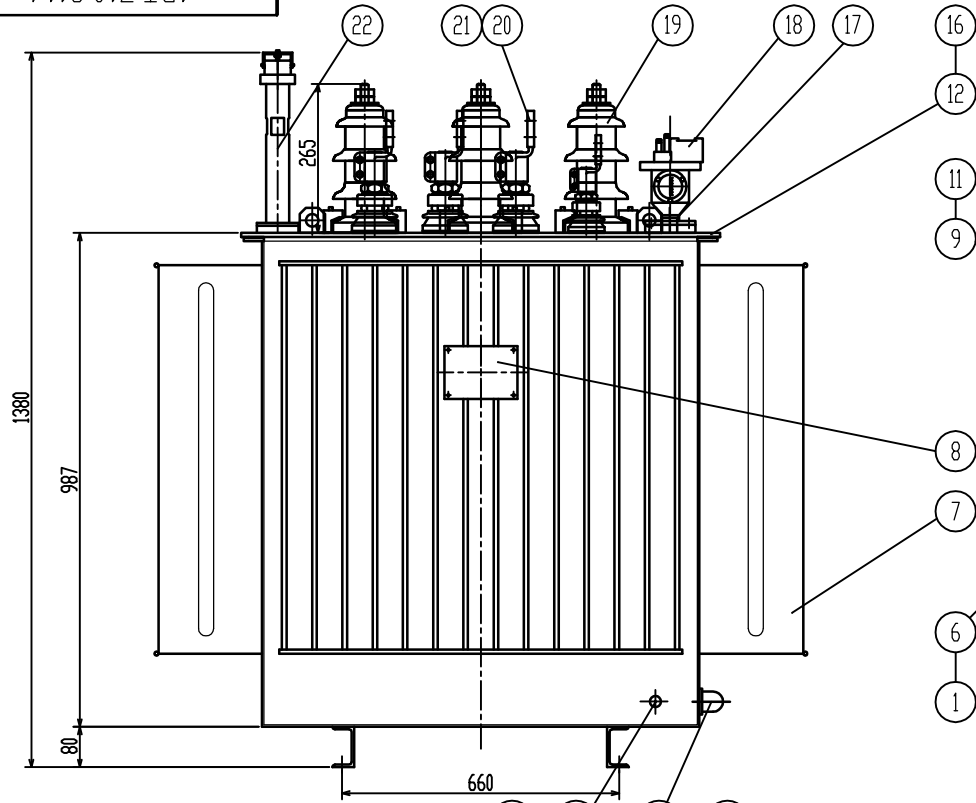
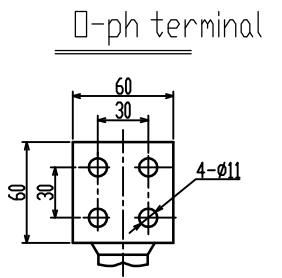
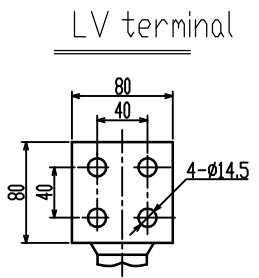
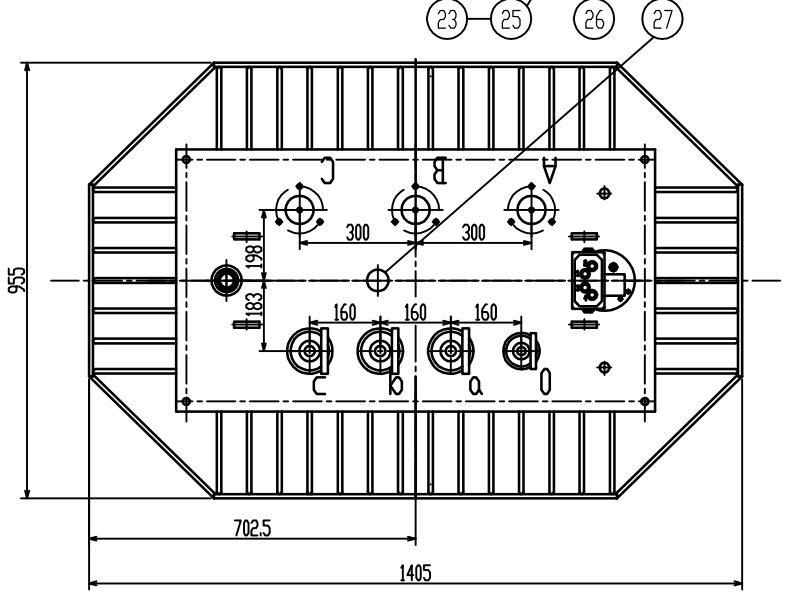
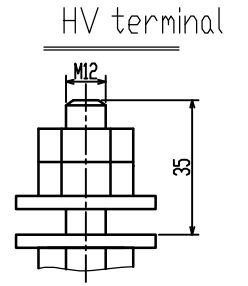


1PT.710.2114



Weight Sheet (kg)		
Oil	Body	Total
282	1220	1900



Used for

Mark	No.	Changed file No.	Signature	Date
Design				
Check				
Examine				

SL11-M-800/6,10,11
Transformer
Uk=4.5%
Dyn11

1PT.710.2114		
Pattern Mark	W. (KG)	Proportion
S A		
1 Page In Total		Page 1
Putuo Electric		