



Create more value for you!

Pad mounted distribution transformers

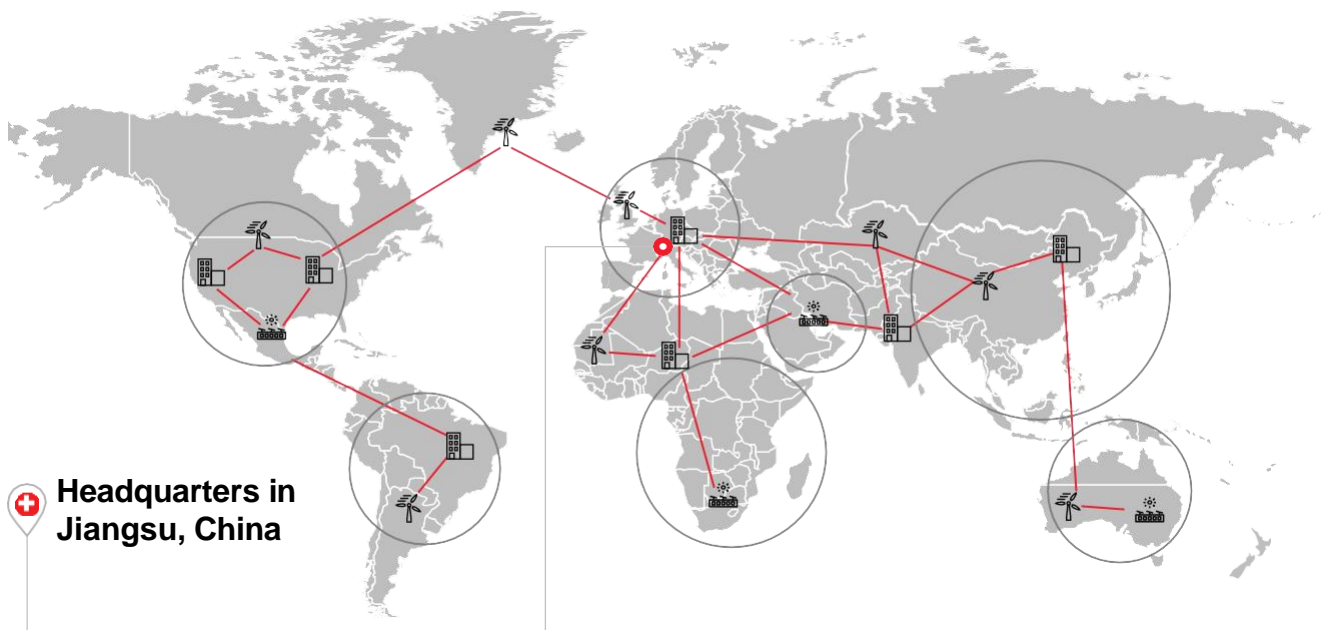


Putuo Electric pad mounted transformers use the most technologically advanced design to support the extreme conditions present in chemical processing, extra heavy traction, and heavy industrial applications.



PUTUO ELCTRIC

Putuo Electric worldwide



In almost every place where people live and work, you will find at least one transformer. But as long as it keeps working and supplying power to the escalator in the department store, the hotel lift, the office computer, the oven in the local bakery, or the petrochemical plant, no one gives it a second thought. Putuo Electric is a global leader in power technologies, enabling utility and industry customers from around the world to improve performance while lowering environmental impact. As one of the world's leading engineering companies, Putuo Electric helps its customers to use electrical power effectively and to increase industrial productivity in a sustainable way.

Why choose pad mounted transformers

- Compact structure
- Strong complete set
- Environmentally-friendly production
- Safe and reliable operation
- Easy maintenance
- Beautiful appearance
- Reliable prevention of burglary

Latest developments: Expanding the portfolio

Putuo Electric introduces **FreeCombination™ Technology** that combines various types of substations production into one united mechanism to improve production efficiency, stabilize product quality, and enhance product performance.

All these substations can be designed, customized, and supplied with a wide variety of accessories, as required.

Putuo pad mounted transformers are able to reach 2500 kVA and operating voltages of up to 40.5 kV. This product is a kind of new type complete set equipment which could achieve energy saving and cost reducing in urban and rural substation construction and transformation.



Reliable solutions for all applications

A large variety of applications demand technologies which contribute to high safety performance, cost savings, and environmental respect.

Putuo Electric has expertise in producing transformers for optimum space utilization, special requirements, and the most demanding conditions.

Putuo Electric is one of the global leaders in power technologies, providing the broadest experience in all applications, ranges, and customized projects:

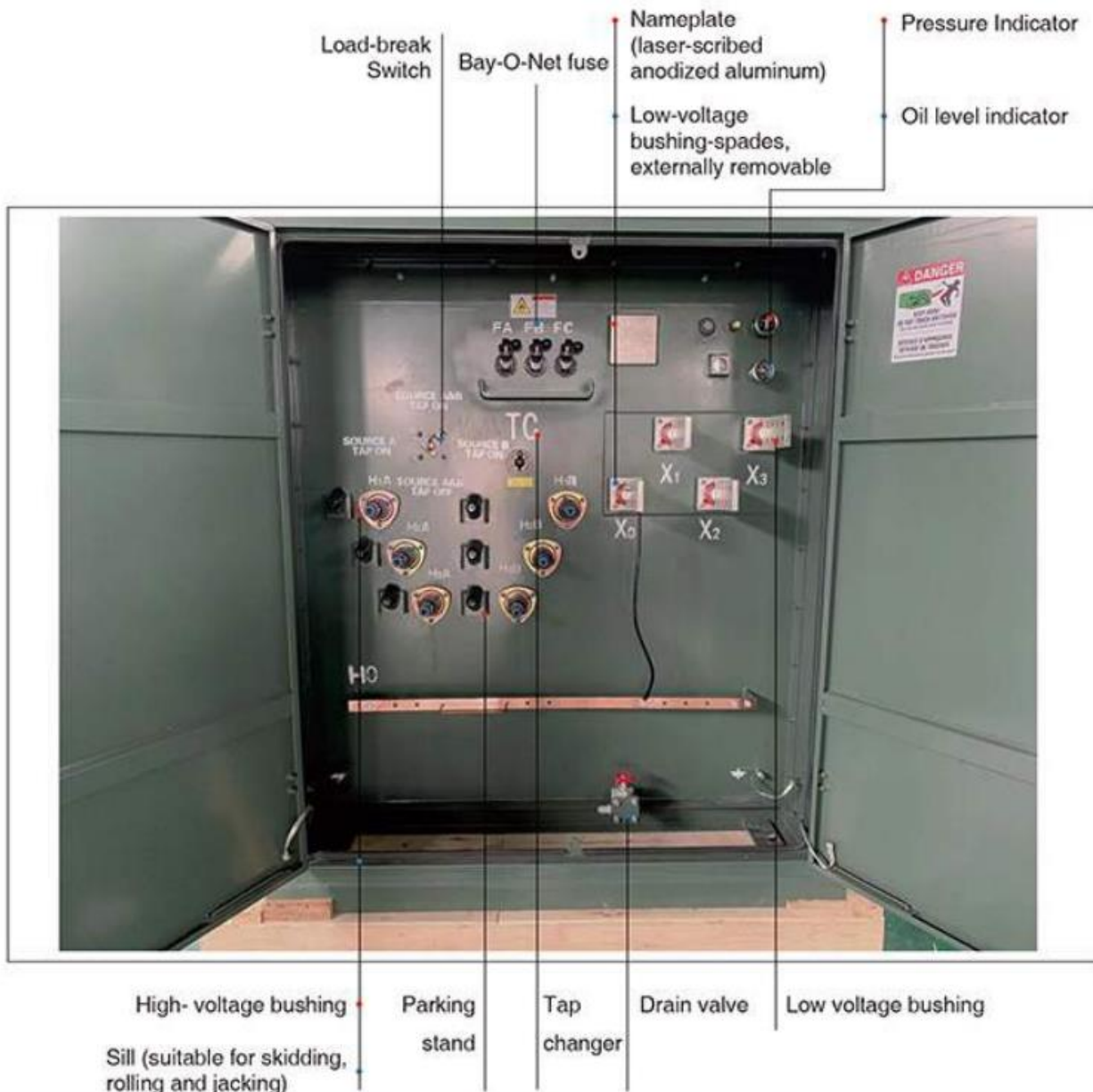
- Industrial & mining enterprises
- Resident sub district
- Docks
- Parks
- Streets
- Public places
- Residential areas
- Ring power supply
- Terminal power supply
- Railway station
- Road electricity supply



Our product customized design: What makes us different?

Putuo Electric uses the most advanced customized designing and the most demanding control systems to guarantee the highest product quality and total product reliability.

- High efficiency design
- Low sound level design
- K-factor rating
- Special ambient design
- 50 Hz & 60 Hz design
- Overload design



Optional accessories

- - Oil level gauge
- - Liquid temperature gauge
- - Pressure vacuum gauge
- - Welded cover with handhole
- - Oil drain valve with or without sampler
- - Mechanical pressure relief device mounted on tank cover
- - Primary termination:
 - / Externally clamped bushing wells with loadbreak inserts
 - / Integral loadbreak or non-loadbreak bushings
- - Secondary termination:
 - / Externally clamped bushings with NEMA 4-hole, 6-hole, 8-hole, 10-hole or 12-hole spades
 - / Spade supports are available. They are provided for 8-hole spades and larger
- - Primary Switching:
 - / LBOR oil switch: one for radial feed.
 - / Externally operated de-energized tap changer
 - / Externally operated dual voltage switch
 - / Externally operated Δ -Y switch
 - / 2-position loadbreak oil switches
 - / 4-position T or V blade sectionalizing loop switches
- -Overvoltage Protection:
 - / Distribution class, metal oxide arresters, 3-36 kV.
 - / Distribution class, valve-type lightning arresters, 3-27 kV.
- - Over-current protection:
 - / Bayonet-type expulsion fuses with plastic drip cup mounted on each bayonet fuse
 - / Weak link cartridge fuses
 - / Bayonet type in series with internal partial-range current limiting fuses
 - / Secondary under oil circuit breaker
- - Additional construction options:
 - / Stainless steel tank and cabinet design
 - / Partial stainless steel design (cabinet sill and tank bottom)
 - / 30" or 34" or 40" deep cabinet
 - / CT's or PT's, including mounting support
 - / LV externally mounted molded case breaker
 - / Externally mounted kWh meter
 - / Flip-top cabinet for low profile design
 - / Additional externally mounted nameplate
 - / Different paint color per requirement
- - Weathercover:
 - / Transformers may feature an optional weathercover over the cabinet which is hinged to allow clearance for replacement of the bayonet-type fuses.
 - / The weathercover can be lifted easily into place and secured with a single supporting arm.
 - / The weathercover requires no additional holddown hardware.



Bay-O-Net Fuse



Load Break Switch



Parking Stand



Drain Valve



Oil Level Indicator



Pressure Relief valve

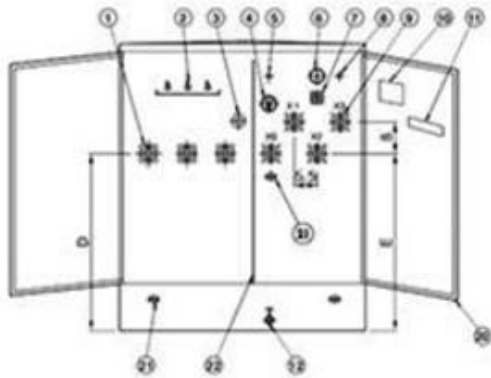
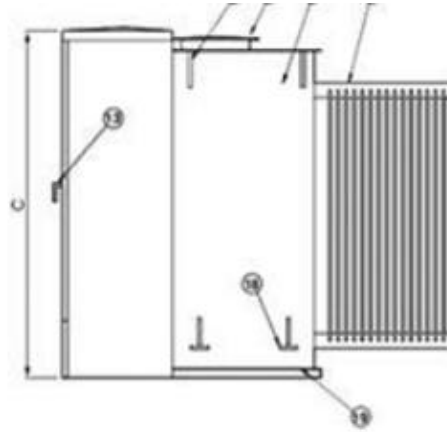
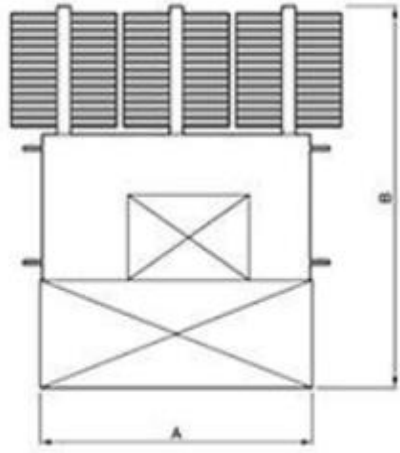


Pressure Indicator



Tap Changer

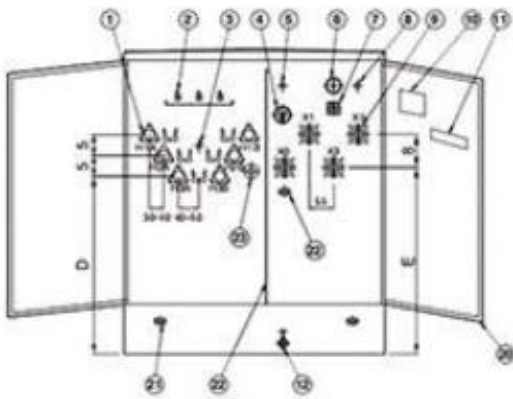
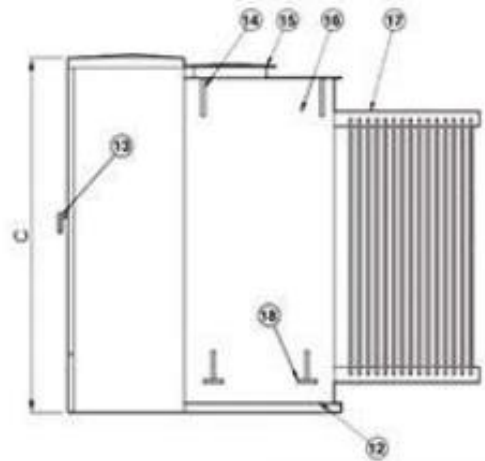
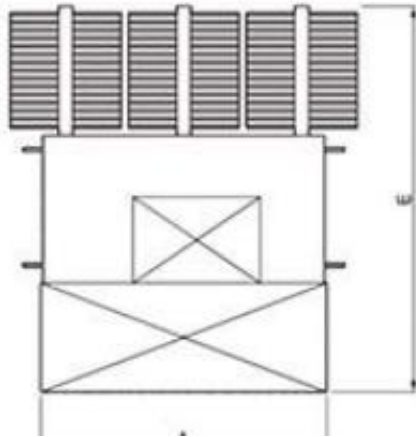
Radial Feed



RATING (KVA)	No Load Loss (W)	On Load Loss (W)	W (mm)	D (mm)	H (mm)	Oil Weight (L)	Total Weight (KG)
45	160	1000	1730	990	1270	416	950
75	180	1250	1730	990	1270	435	1020
112.5	200	1500	1730	1245	1270	454	1070
150	280	2200	1730	1245	1270	473	1225
225	400	3050	1830	1295	1270	530	1430
300	480	3650	1830	1295	1270	605	1655
500	680	5100	2260	1345	1270	720	2110
750	980	7500	2260	1448	1625	1022	2950
1000	1150	10300	2260	1500	1625	1325	3720
1500	1640	14500	2260	2190	1854	1552	4672
2000	2160	20645	1830	2210	1854	1855	5670
2500	2680	27786	1830	2515	1854	2006	6580

NO.	NAME	NO.	NAME
1	HV BUSHING	12	DRAIN VALVE WITH SAMPLER
2	BAY-O-NET FUSE	13	DOOR HANDLE
3	TAP CHANGER	14	LIFTING LUG
4	DIAL TYPE THERMOMETER	15	HAND HOLE&SECURITY COVER
5	FILLING PLUG	16	TANK
6	PRESSURE VACUUM GAUGE	17	RADIATORS
7	OIL LEVEL GAUGE	18	JACKING PAD
8	PRESSURE RELIEF VALVE	19	JACKING PROVISIONS
9	LV BUSHING	20	DOOR
10	NAMEPLATE	21	GROUNDING PAD
11	WARNING LABEL	22	HV-LV BARRIER

Loop Feed



RATING (KVA)	No Load Loss (W)	On Load Loss (W)	W (mm)	D (mm)	H (mm)	Oil Weight (L)	Total Weight (KG)
45	160	1000	1730	990	1270	416	950
75	180	1250	1730	990	1270	435	1020
112.5	200	1500	1730	1245	1270	454	1070
150	280	2200	1730	1245	1270	473	1225
225	400	3050	1830	1295	1270	530	1430
300	480	3650	1830	1295	1270	605	1655
500	680	5100	2260	1345	1270	720	2110
750	980	7500	2260	1448	1625	1022	2950
1000	1150	10300	2260	1500	1625	1325	3720
1500	1640	14500	2260	2190	1854	1552	4672
2000	2160	20645	1830	2210	1854	1855	5670
2500	2680	27786	1830	2515	1854	2006	6580

NO.	NAME	NO.	NAME
1	HV BUSHING	12	DRAIN VALVE WITH SAMPLER
2	BAY-O-NET FUSE	13	DOOR HANDLE
3	TAP CHANGER	14	LIFTING LUG
4	DIAL TYPE THERMOMETER	15	HAND HOLE&SECURITY COVER
5	FILLING PLUG	16	TANK
6	PRESSURE VACUUM GAUGE	17	RADIATORS
7	OIL LEVEL GAUGE	18	JACKING PAD
8	PRESSURE RELIEF VALVE	19	JACKING PROVISIONS
9	LV BUSHING	20	DOOR
10	NAMEPLATE	21	GROUNDING PAD
11	WARNING LABEL	22	HV-LV BARRIER

Our values

Main circuit schemes can be custom-designed according to customer requirement

LV device

No.	LV outgoing wire scheme	Sketch
1	<p>Function: Main metering (watt-hour meter, vat-hour meter voltmeter, three-phase current meter) equipped with Four-way outgoing circuit breaker</p> <p>Loop current: 100A~630A</p>	
2	<p>Function: Main metering (watt-hour meter, vat-hour meter voltmeter, three-phase current meter) has one branch for active measurement and equipped with Four-way outgoing circuit breaker</p> <p>Loop current: 100A~630A</p>	
3	<p>Function: Main metering (watt-hour meter, vat-hour meter voltmeter, three-phase current meter) equipped with Six-way incoming fuse switch</p> <p>Loop current: 160A、200A、400A、630A</p>	
4	<p>Function: Main switch, Main metering (voltmeter, three-phase current meter) equipped with Four-way outgoing circuit breaker</p> <p>Loop current: Main switch 225A~2500A Outgoing switch 100A~630A</p>	
5	<p>Function: Main metering (watt-hour meter, vat-hour meter, voltmeter, three-phase current meter) equipped with Four-way outgoing circuit breaker and plug-in reactive compensation panel</p> <p>Loop current: 100A~630A reactive compensation 100kvar~200kvar</p>	
6	<p>Function: Main metering (comprehensive distribution tester, voltmeter, three-phase current meter) equipped with Four-way outgoing circuit breaker</p> <p>Loop current: 100A~630A</p>	

Testing and logistics

All transformers are manufactured to the most stringent quality control standards in order to guarantee the full reliability of the product.

Routine test

All transformers are 100% routine tested:

- Voltage ratio measurement and check of phase displacement
- Induced over-voltage withstand test
- No load loss and current measurement
- Measurements of windings resistances
- Load loss and short circuit impedance measurements
- Leak test

Type tests

Performed according to customer requirements:

- Temperature rise test
- Lightning impulse test

Special tests

Performed according to customer requirements:

- Measuring zero-sequence impedance
- Noise level test
- Measuring insulation resistance
- Measuring of harmonics of the no-load current
- Measuring of the parallel capacity of windings and tag ∂
- Anti-corrosion protection checking
- Short circuit test
- Vibration test

Logistics and services

Once the transformer is successfully tested, the product is ready for shipping, either by truck or sea freight.

As a manufacturer, Putuo Electric understands the relevance of what logistics represents to the customers. This is one of the reasons why Putuo Electric has developed a large and qualified network of suppliers with the same values and targets.

Putuo Electric takes care of all official documentation, depending on the final destination and delivery terms.

Different packaging for special applications or conditions

- Standard packaging
- Crate packaging
- Sea-worthy packaging

Putuo Electric has a long experience in arranging special transport, as and when it is required.

In addition, Putuo Electric's global presence ensures the best, local, and after-sales service.

Working with Putuo Electric, you have access to a worldwide service with a full range of products and solutions, access to production facilities using the most up to date technologies that provides the highest quality for standard and specially made products and solutions. Our warranty provides "Life-long & 7/24" quality and service.

Putuo Electric
Customer Connect Center

Putuo-electric.com

©Putuo Electric 2024. All rights reserved.
Specifications subject to change without notice.