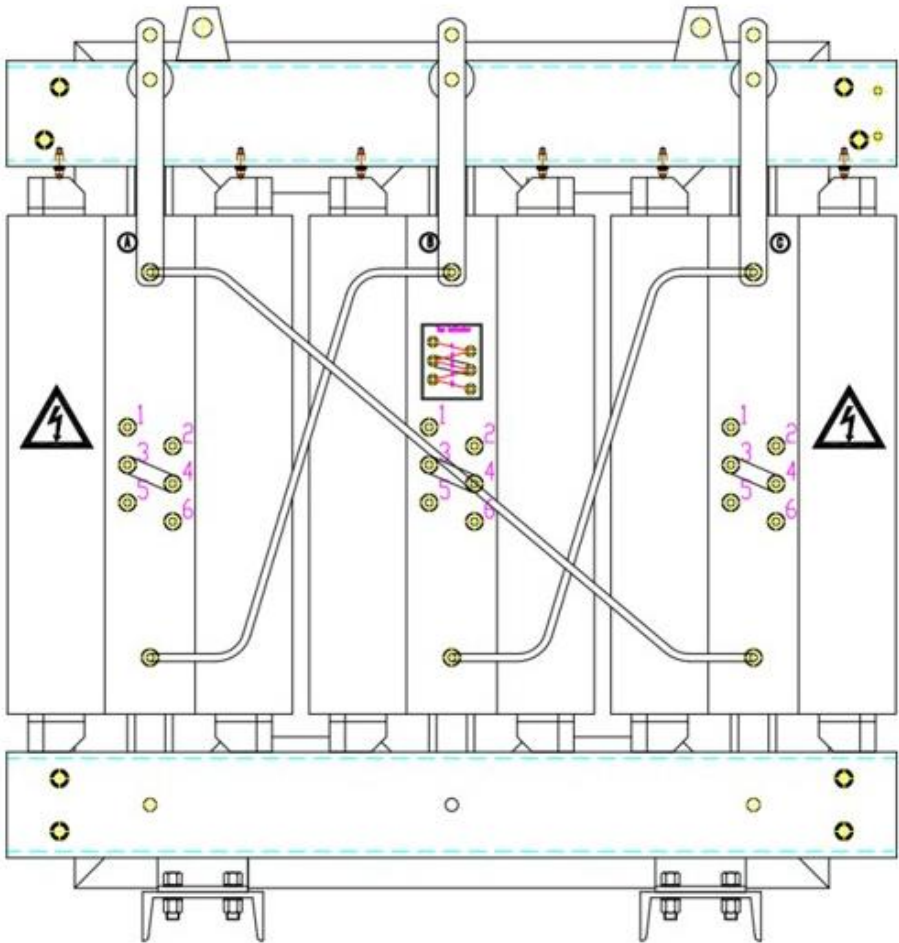


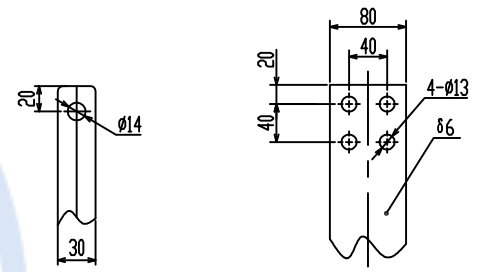
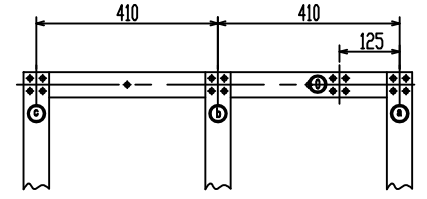
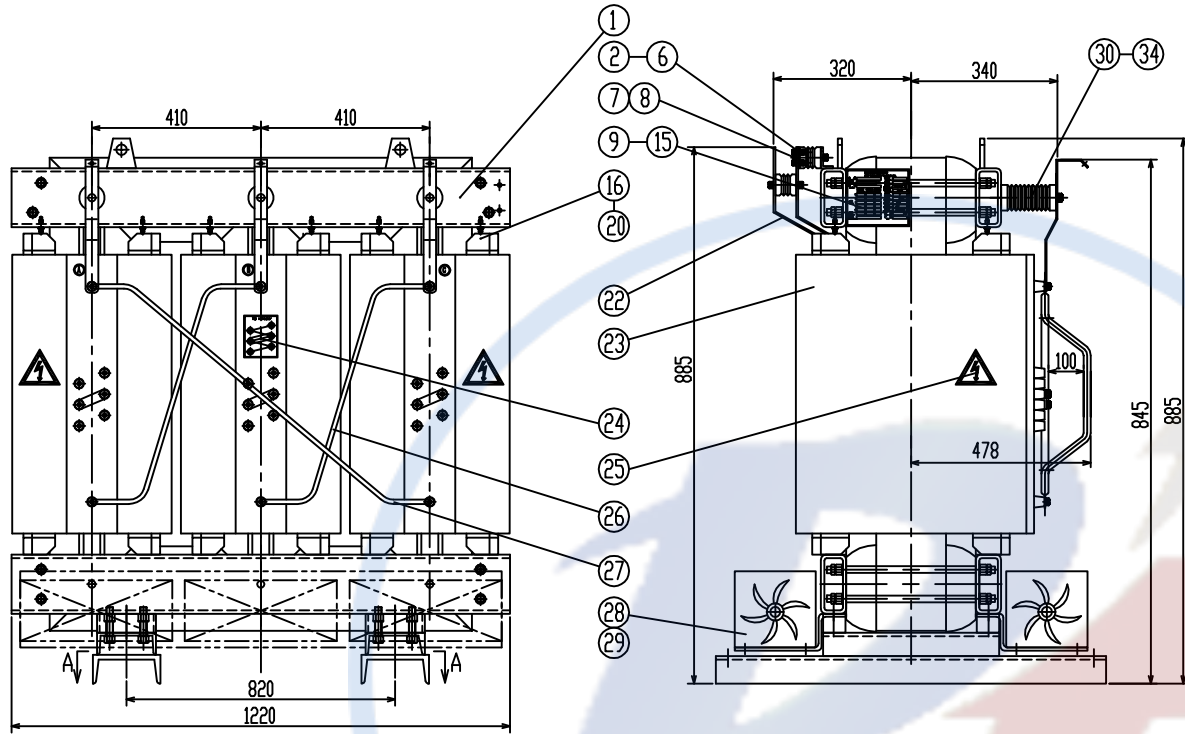


Outline drawing of several popular resin cast coil dry type distribution transformers

SCB10-630kVA-6,10,11kV dry type transformers.....	1
SCB10-800kVA-6,10,11kV dry type transformers.....	2
SCB10-1000kVA-6,10,11kV dry type transformers.....	3
SCB10-1250kVA-6,10,11kV dry type transformers.....	4
SCB10-1600kVA-6,10,11kV dry type transformers.....	5
SCB10-2000kVA-6,10,11kV dry type transformers.....	6
SCB10-2000kVA-6,10,11kV dry type transformers.....	7

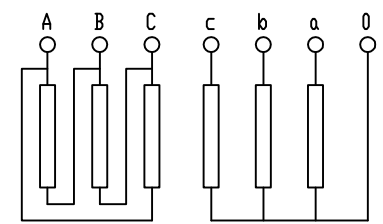


1PT.710.2313.1



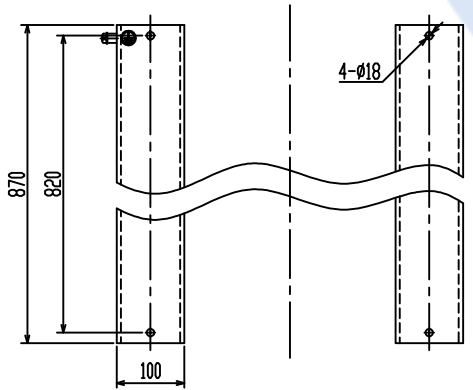
HV terminal

LV terminal



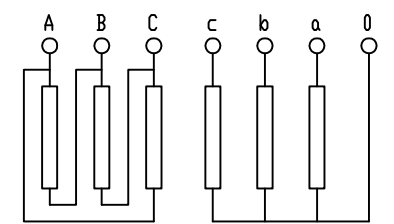
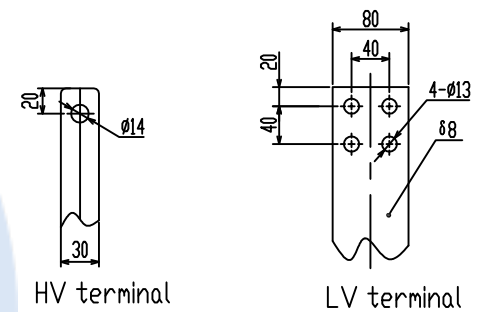
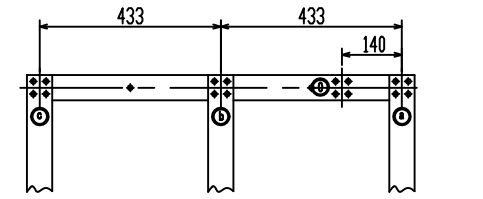
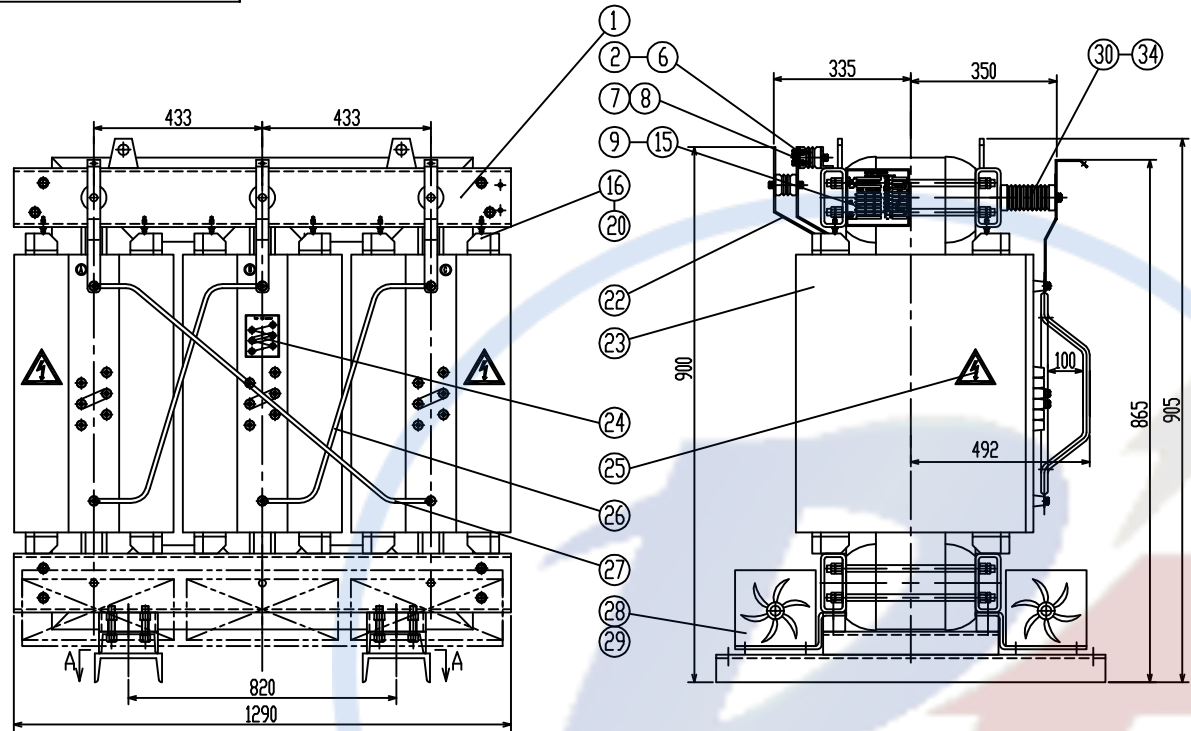
Dyn11

A-A



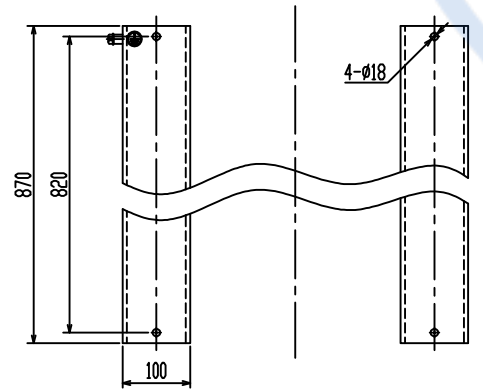
Used for

					SCB10-630/6,10,11		1PT.710.2313.1			
					Transformer		Pattern Mark		V. (KG)	Proportion
							S	A	1630	
Mark	No.	Changed file No.	Signature	Date	Uk= 6%		1 Page In Total		Page 1	
Draft			Technology							
Design	-		Standard							
Check			Approval							
Examine			Date	21/1/12	Putuo Electric					



Dyn11

A-A

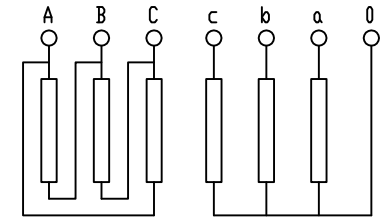
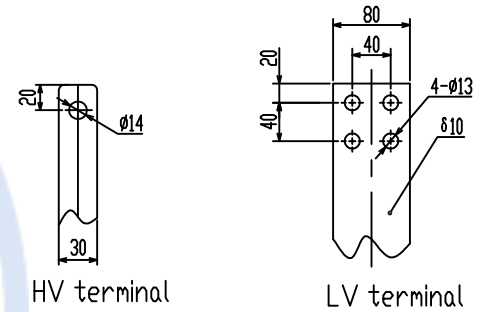
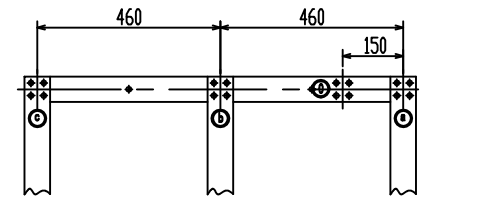
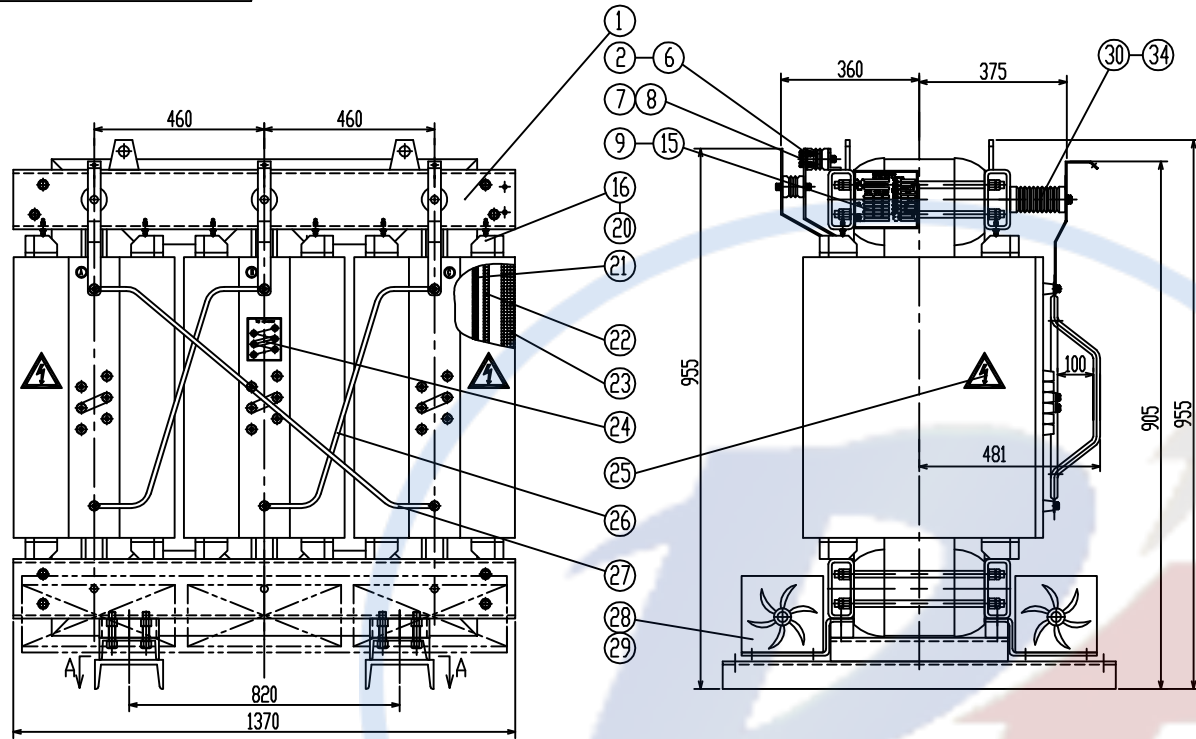


Used for

Mark	No.	Changed file No.	Signature	Date
Draft			Technology	
Design	-		Standard	
Check			Approval	
Examine			Date	21/7/12

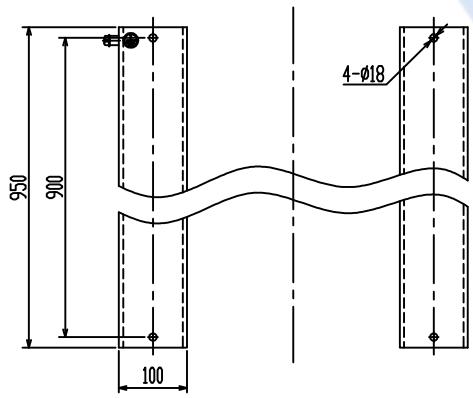
SCB10-800/6,10,11
Transformer
Uk= 6%

1PT.710.2314.1		
Pattern Mark	W. (KG)	Proportion
S A	1940	
1 Page In Total		Page 1
Putuo Electric		

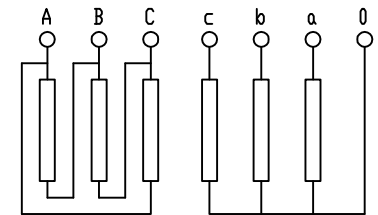
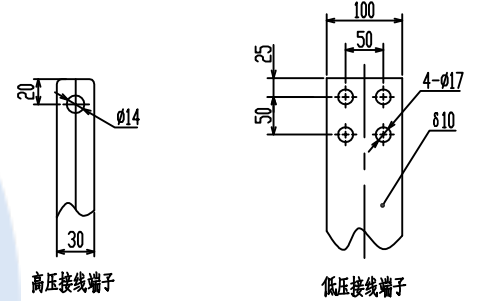
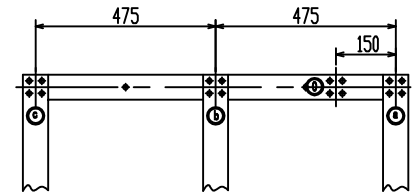
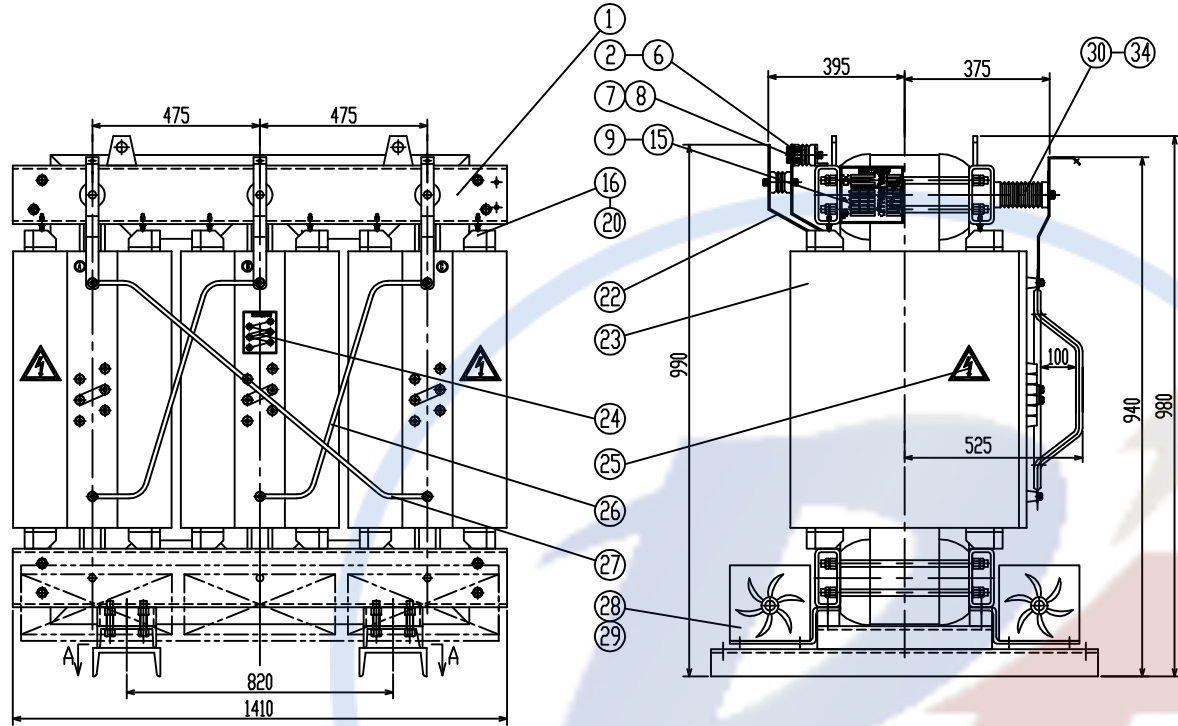


Dyn11

Used for

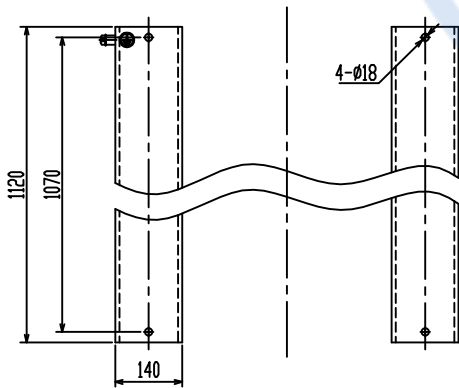


					SCB10-1000/6, 10, 11		1PT.710.2315.1		
					Transformer Uk= 6%		Pattern Mark	W. (KG)	Proportion
							S A	2400	
							Page 1		
							Putuo Electric		
Mark	No.	Changed file No.	Signature	Date					
Draft			Technology						
Design			Standard						
Check			Approval						
Examine			Date	21/1/12					



Dyn11

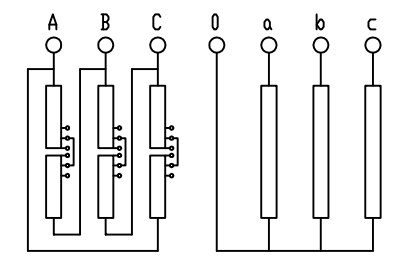
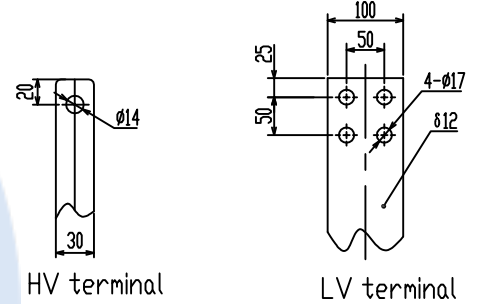
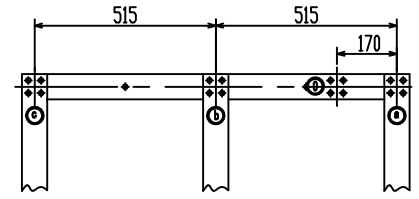
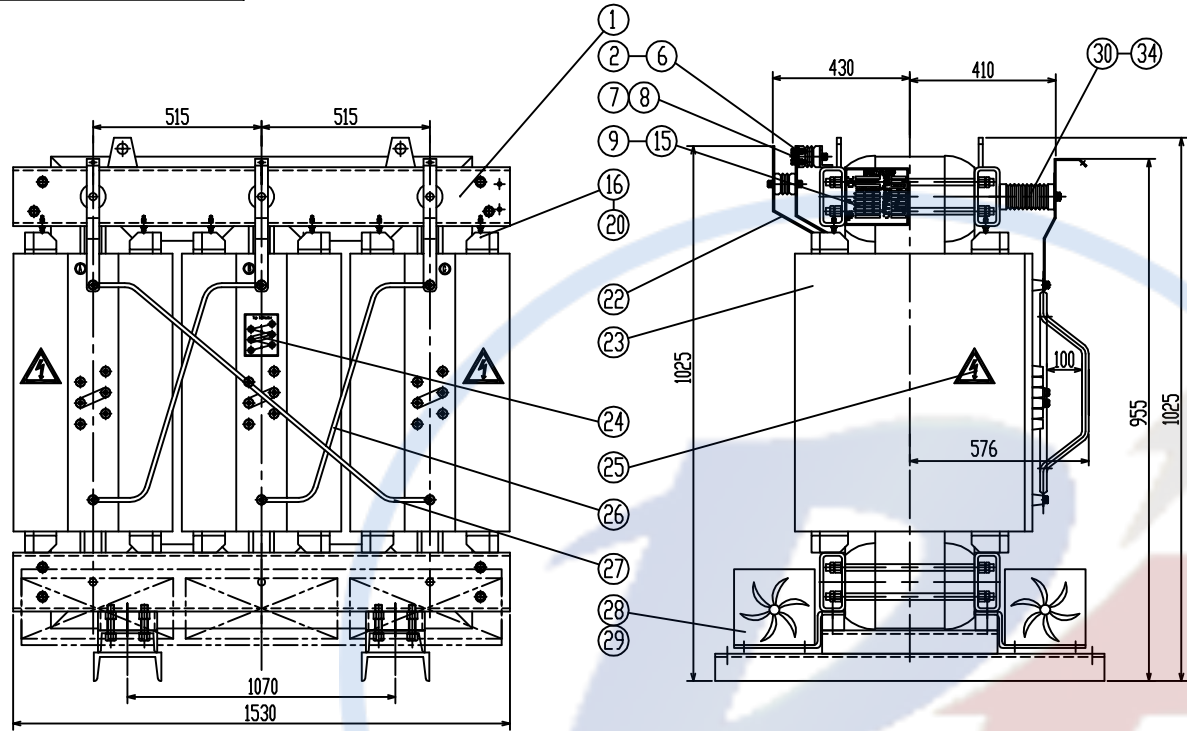
A-A



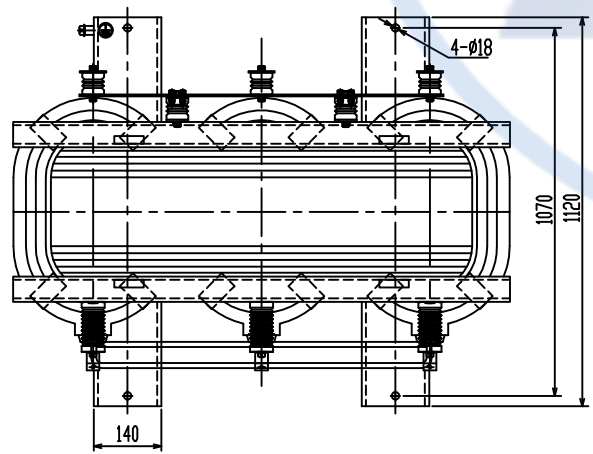
Used for

					SCB10-1250/6,10,11		1PT.710.2316.1			
					10/0.4		Pattern Mark		W. (KG)	Proportion
							S A		2700	
Mark					No.	Changed file No.	Signature	Date		
Draft					Technology					
Design					Standard					
Check					Approval					
Examine					Date		21/1/12			
							1 Page In Total		Page 1	
Putuo Electric										

1PT.710.2337.1

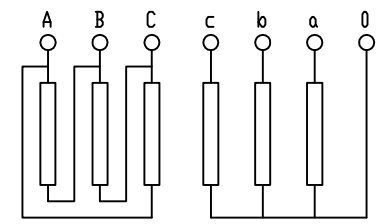
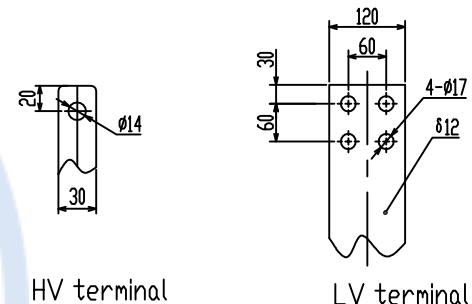
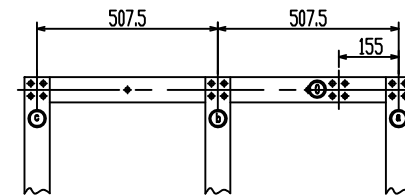
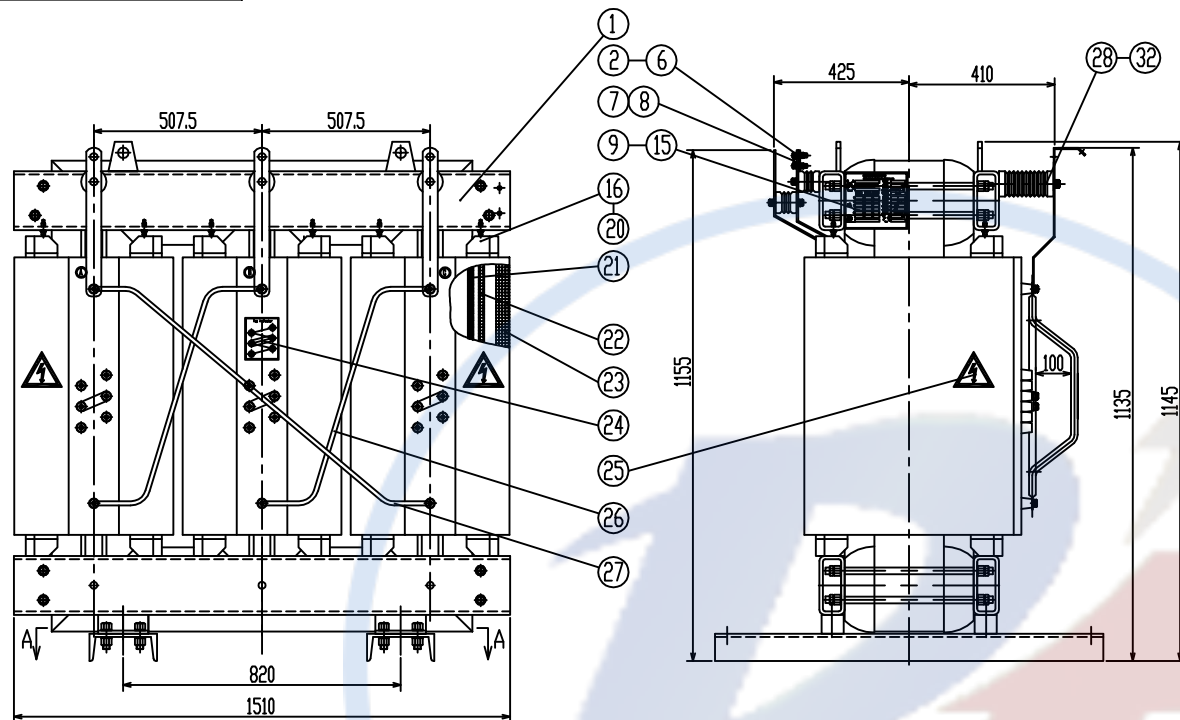


Dyn11



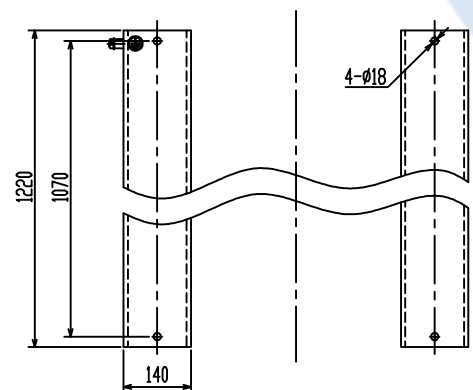
Used for

				SCB13-1600/6,10,11		1PT.710.2337.1	
				Transformer		Pattern Mark	
				Uk= 6%		W. (KG)	
Mark	No.	Changed file No.	Signature	Date	S A		3500
Draft	Technology				1 Page in Total		Page 1
Design	Standard				Putuo Electric		
Check	Approval						
Examine	Date			21/4/2			



Dyn11

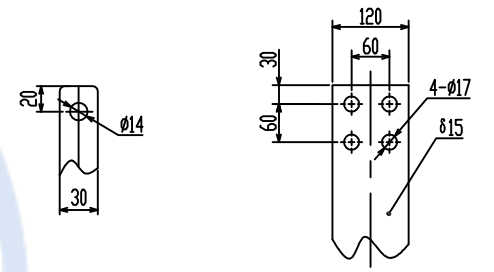
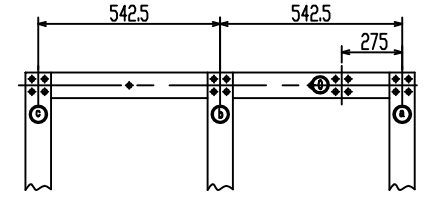
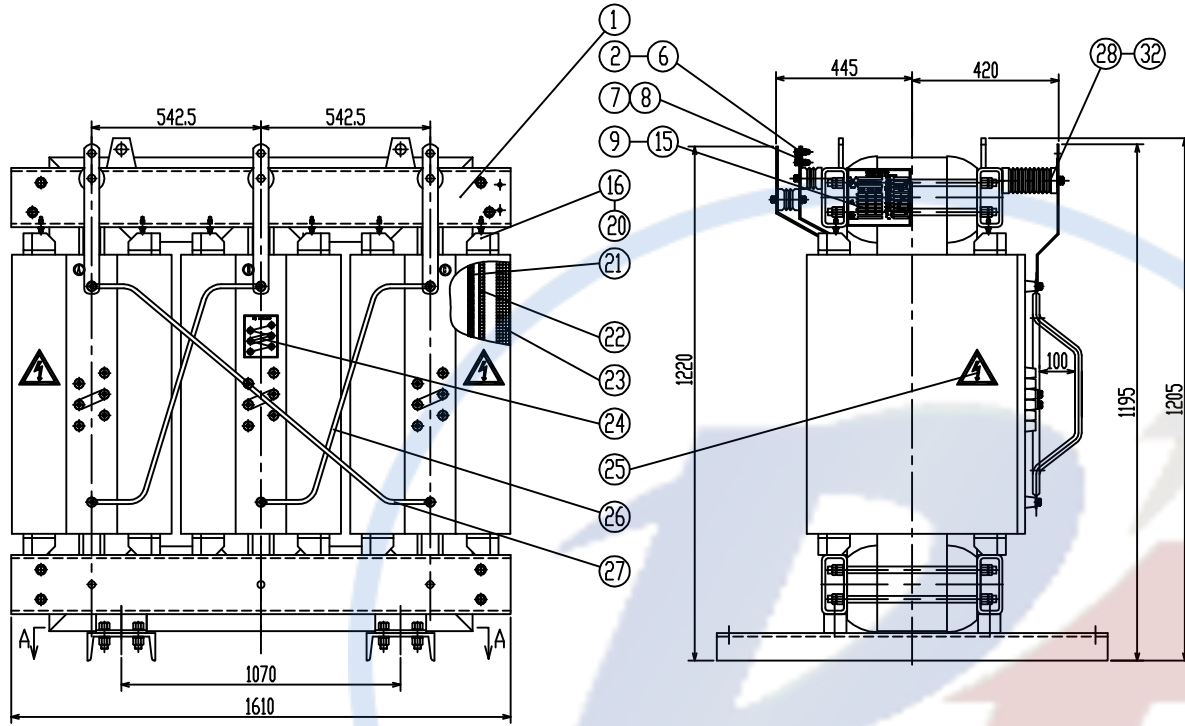
A-A



Used for

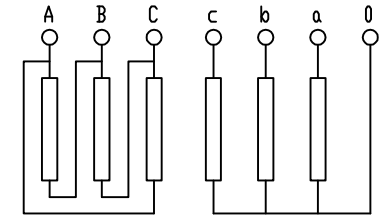
SCB10-2000/10-H-T						1PT.710.2318.1			
Transformer						Pattern Mark		W. (KG)	Proportion
						S A		3800	
1 Page In Total						Page 1			
Putuo Electric									
Mark	No.	Changed file No.	Signature	Date					
Draft			Technology						
Design			Standard						
Check			Approval						
Examine			Date	20/10/25					

1PT.710.2319.1



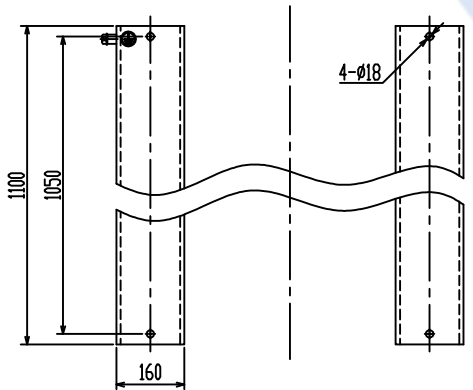
HV terminal

LV terminal



Dyn11

A-A



Used for

						SCB10-2500/6,10,11	1PT.710.2319.1		
						Transformer	Pattern Mark	V. (KG)	Proportion
							S	A	4510
							1 Page In Total		Page 1
									Putuo Electric