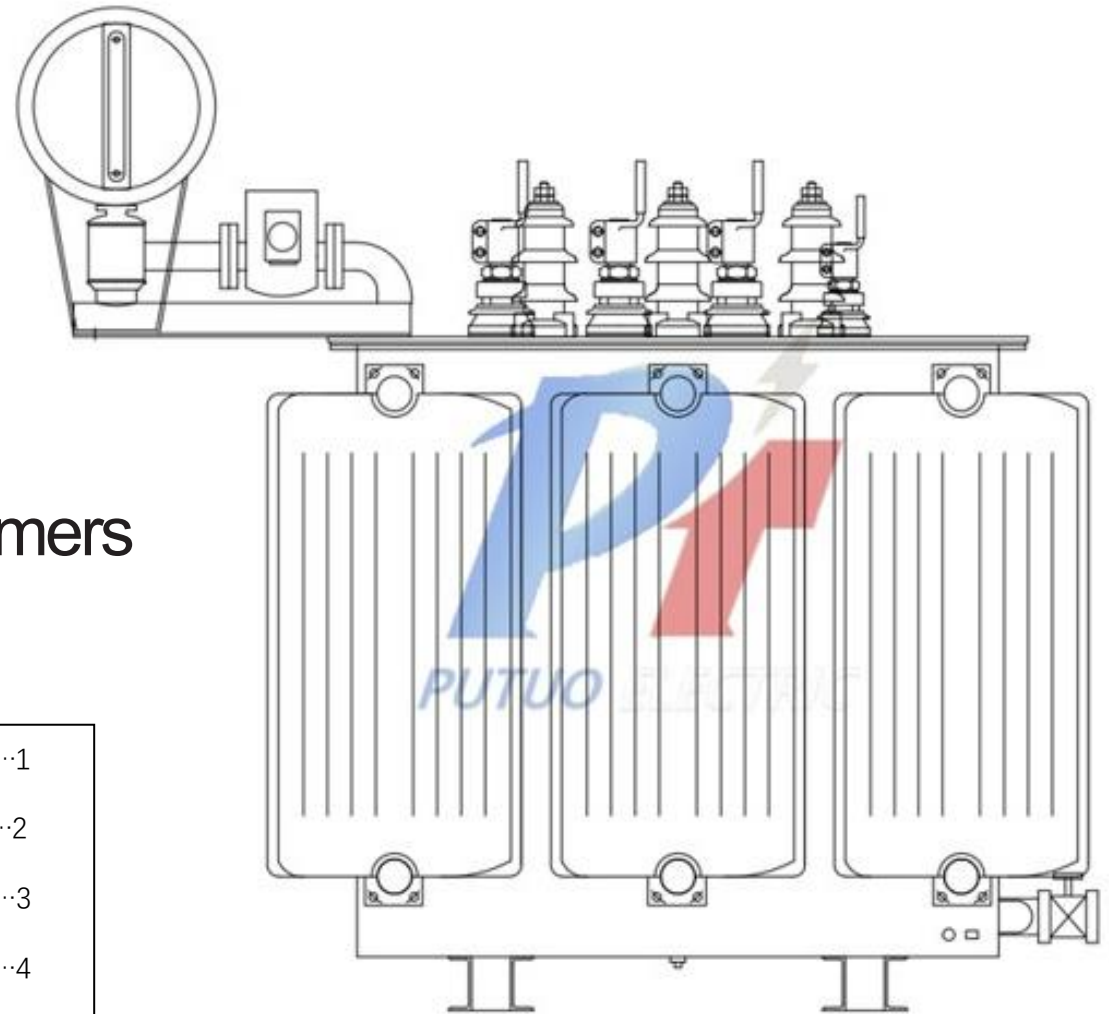


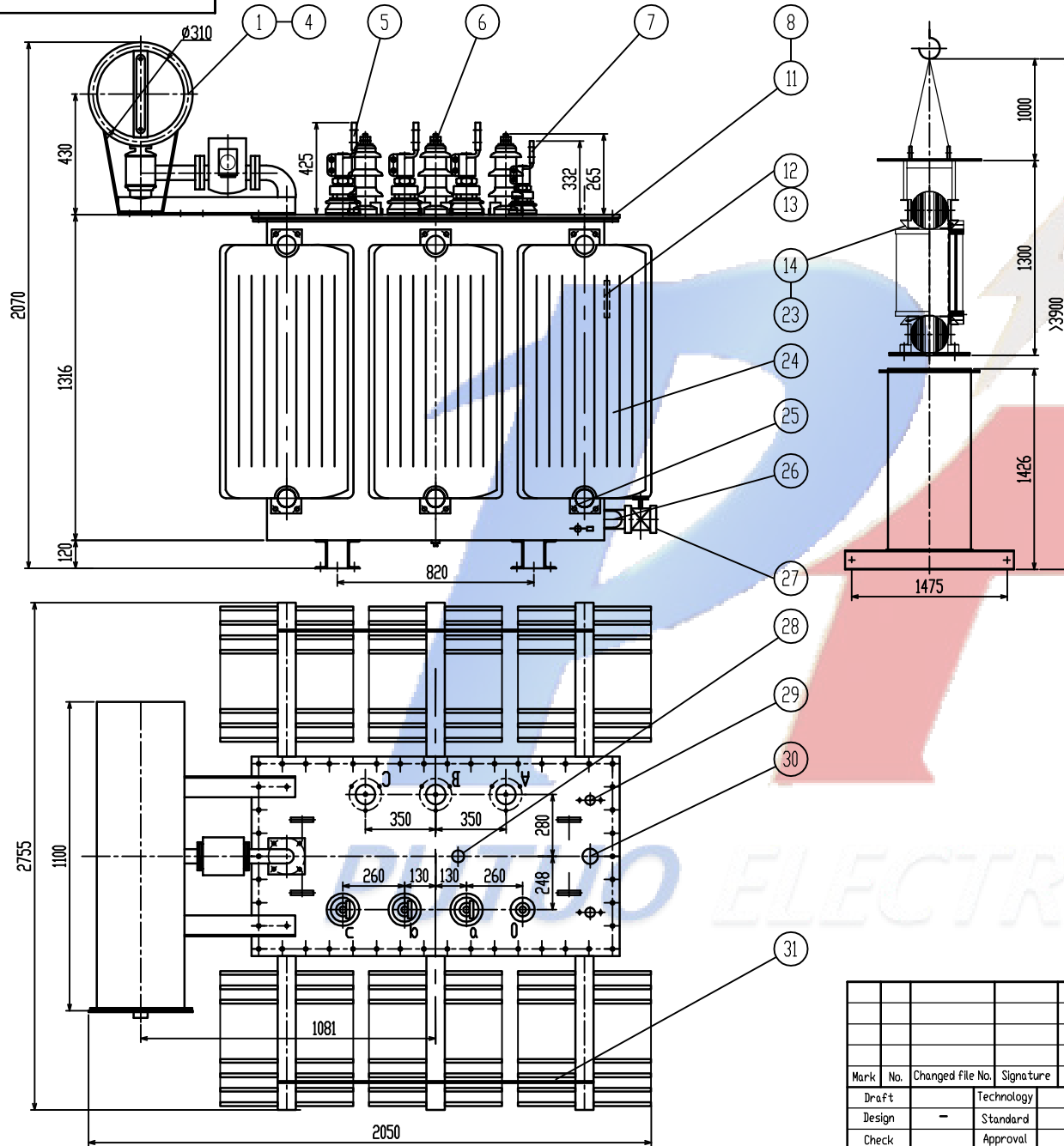


Outline drawing of several popular large oil immersed distribution transformers

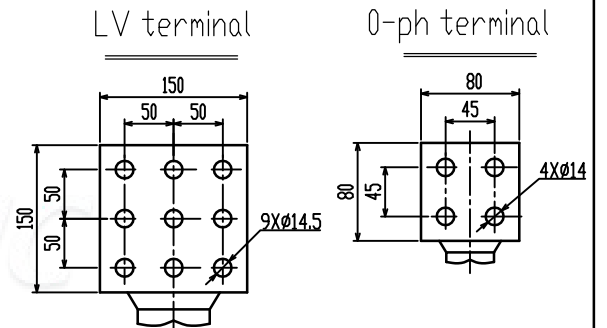
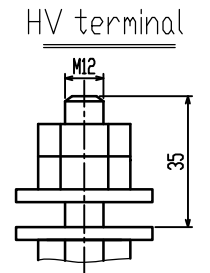
- S11-2500kVA-6,10,11kV oil immersed distribution transformers.....1
- SZ11-3150kVA-6,10,11kV oil immersed distribution transformers...2
- S11-3150kVA-6,10,11kV oil immersed distribution transformers.....3
- S11-4000kVA-6,10,11kV oil immersed distribution transformers.....4



1.710.2500G1



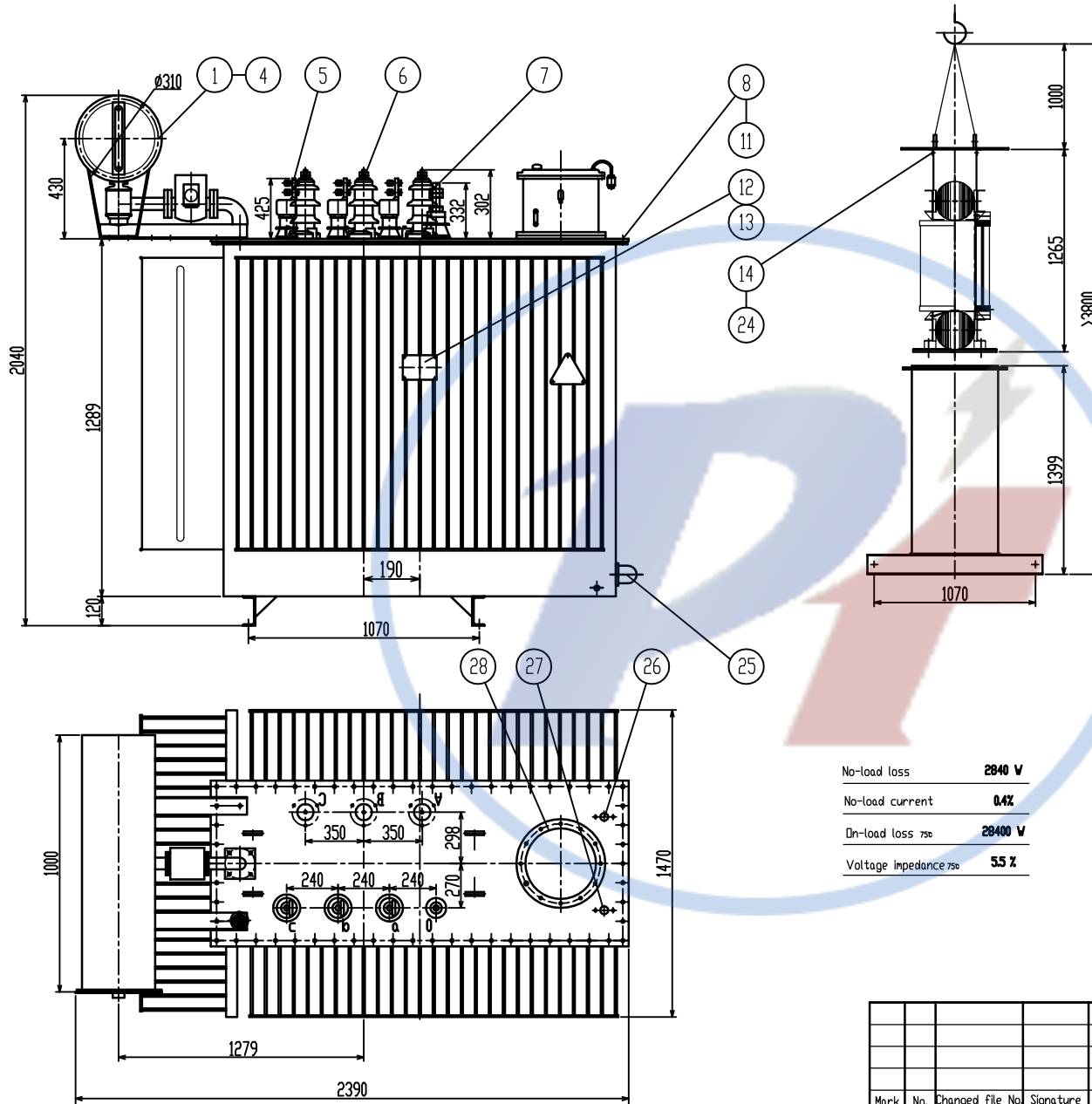
Weight List (kg)		
Oil	Body	Total
982+	2950+	5430+



Used for

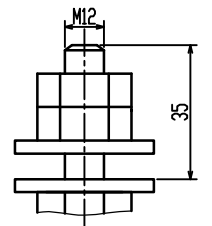
				S11-2500/6,10,11		1.710.2500G1		
				Transformer		UK=5%		
				Dyn11		Putuo Electric		
Mark	No.	Changed file No.	Signature	Date	Pattern Mark		W. (KG)	Proportion
Draft			Technology		S	A		
Design			Standard		1 Page In Total		Page 1	
Check			Approval					
Examine			Date	23/1/31				

1.710.3150C

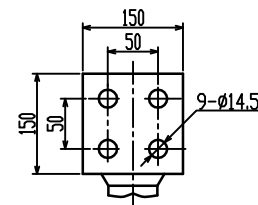


Weight List (KG)		
Oil	Body	Total
1217	3110	5660

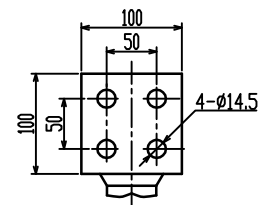
HV terminal



LV terminal



0-ph terminal

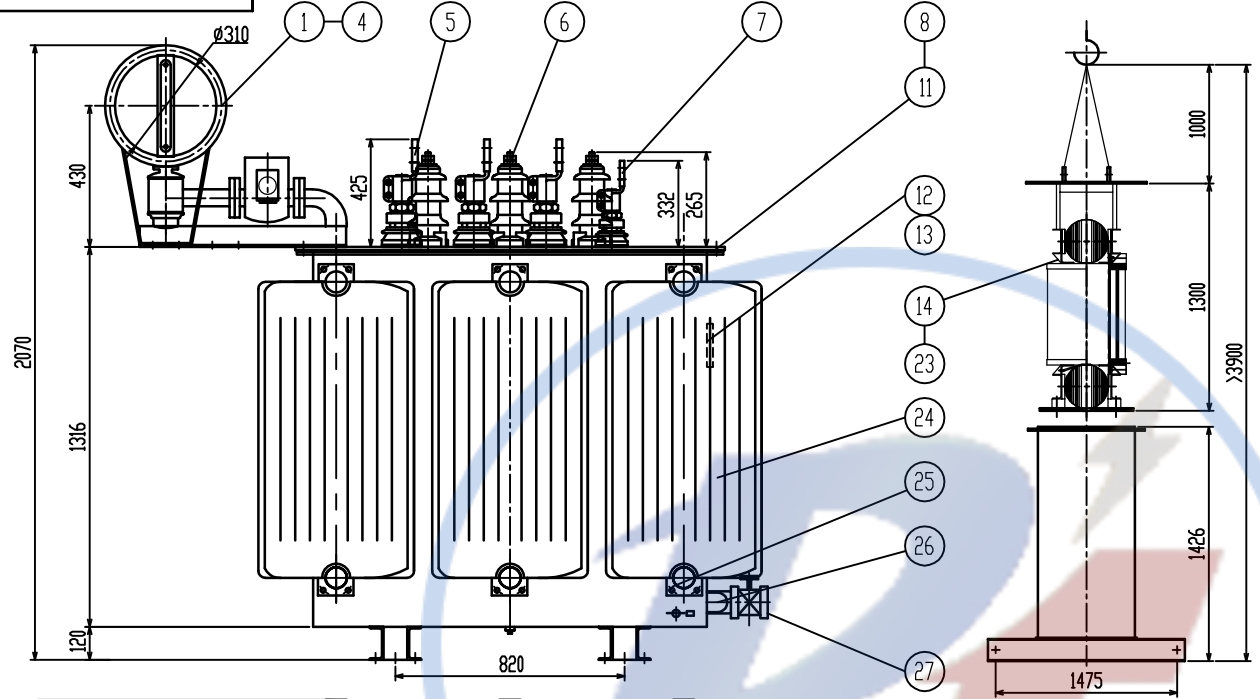


No-load loss	2840 W
No-load current	0.4%
On-load loss 75%	28400 W
Voltage impedance 75%	5.5%

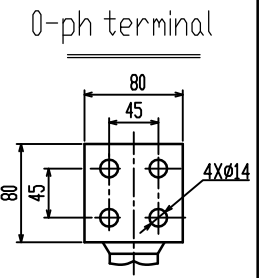
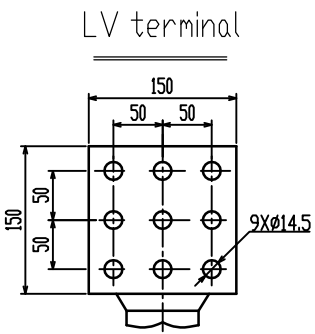
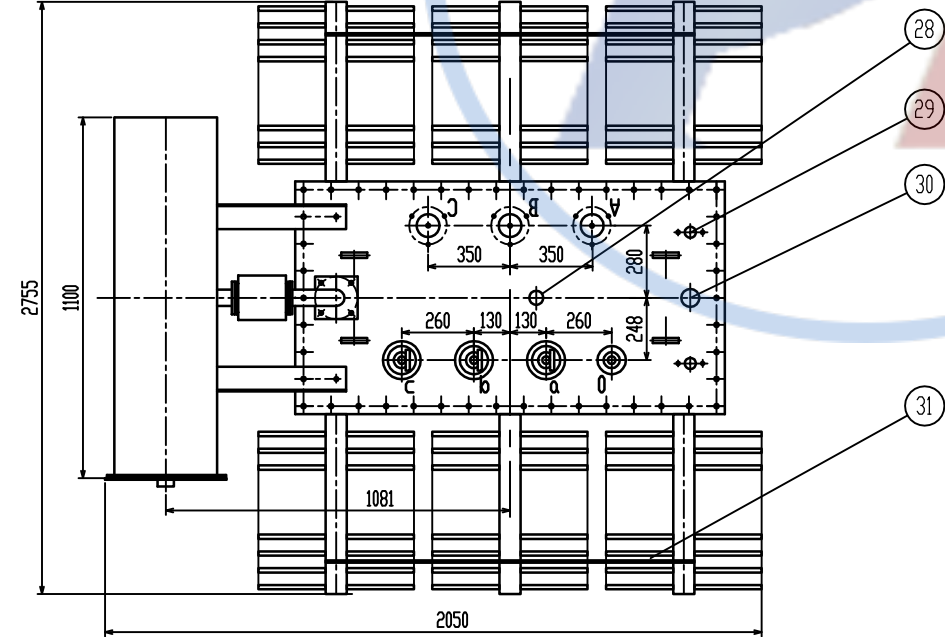
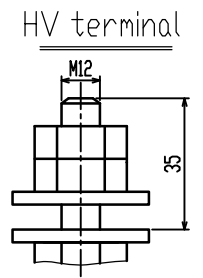
Used for
全波纹有载
无储油柜

						SZ11-3150/6,10,11		1.710.3150C	
						Transformer		Pattern Mark	
						LV 0.4 KV Uk=5.5%		W. (KG)	
						Dyn11		Proportion	
Mark No.	Changed file No.	Signature	Date			S A		1 Page In Total	
Draft		Technology						Page 1	
Design	-	Standard							
Check		Approval							
Examine		Date	22/6/25					Putuo Electric	

1.710.2500G1



Weight List (kg)		
Oil	Body	Total
982+	2950+	5430+



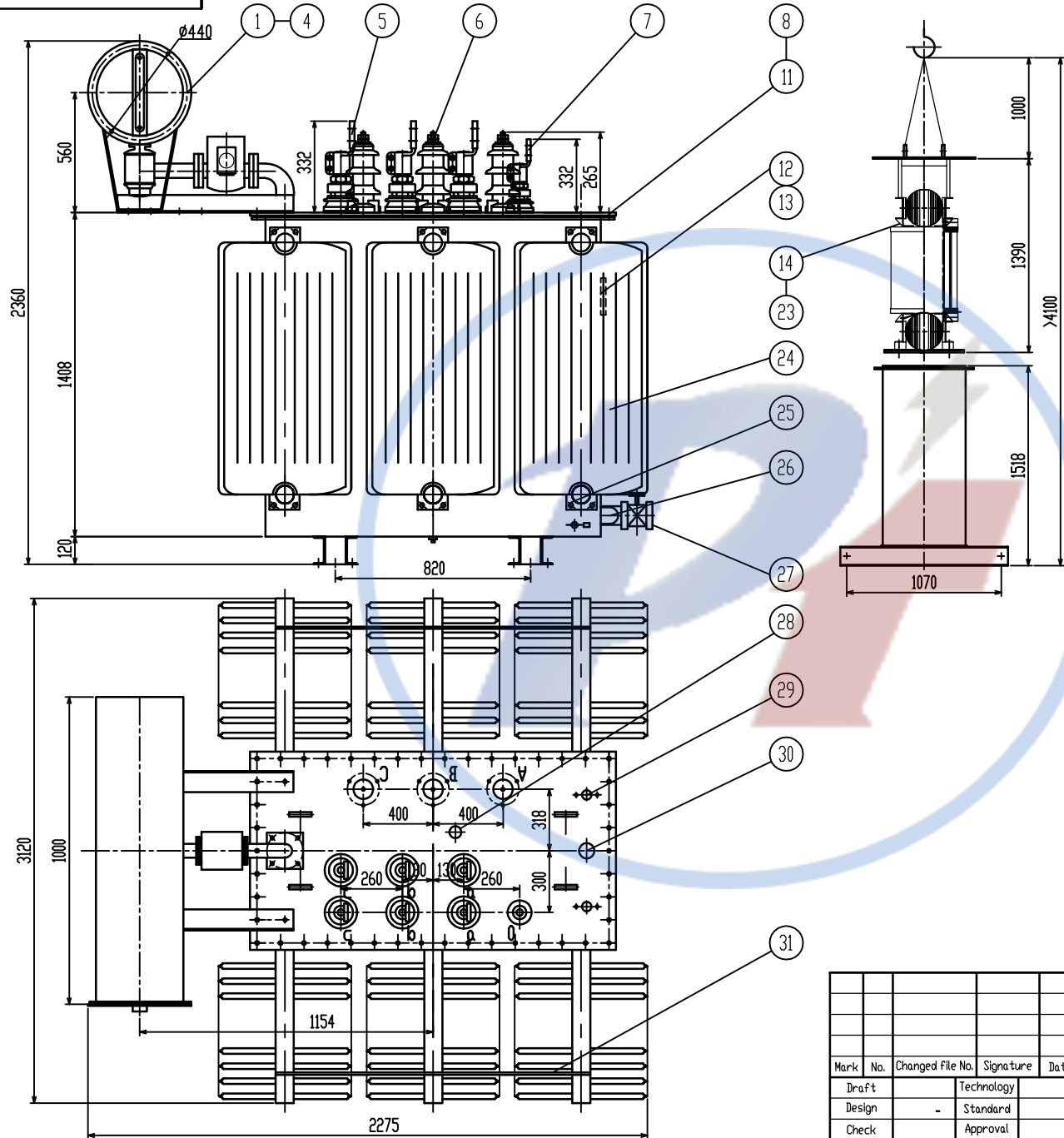
Used for

Mark	No.	Changed file No.	Signature	Date
Draft			Technology	
Design	-		Standard	
Check			Approval	
Examine			Date	23/1/31

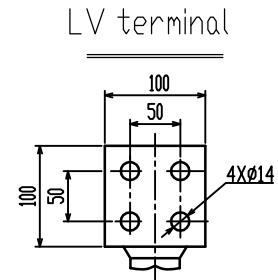
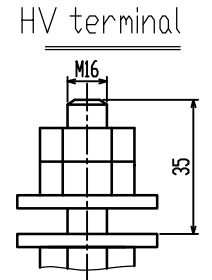
S11-3150/6,10,11
Transformer
Uk=5%
Dyn11

1.710.2500G1		
Pattern Mark	W. (KG)	Proportion
S A		
1 Page In Total		Page 1
Putuo Electric		

1.710.4000



Weight List (kg)		
Oil	Body	Total
1286	3705	6870



Used for

					S11-4000/6,10,11		1.710.4000	
					Transformer		Pattern Mark	
					6,10,11/0.4 Uk=5.5%		W. (KG)	
					Dyn11		Proportion	
Mark	No.	Changed file No.	Signature	Date			1 Page In Total	
Draft			Technology				Page 1	
Design		-	Standard				Putuo Electric	
Check			Approval					
Examine			Date					